

**BENEFITS & FEATURES**

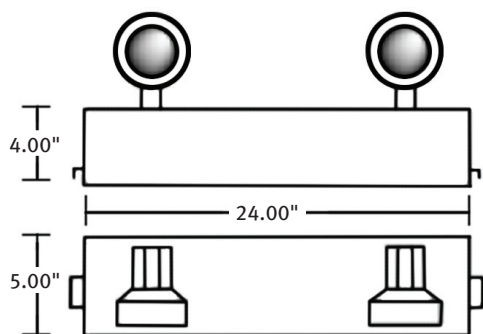
- Completely self-contained
- Sealed maintenance-free lead calcium batteries (calcium or pure lead)
- Provides a minimum emergency duration of 90 minutes
- Standard with 9 watt tungsten lamps
- 120/277 volt selectable input
- Low voltage disconnect
- Brownout protection
- 100% solid state charger
- Sealed relay
- Push-to-test switch
- LED indicator light
- Simplified drop-in mounting
- Matte white finish standard
- Certified by ETL

**SELF DIAGNOSTICS (SD OPTION)**

Continually diagnoses unit performance and tests system (auto battery discharge every 30 days for 30 minutes and once every 12 months for 90 minutes) to meet electrical and life safety codes.

**RECESSED T-BAR EMERGENCY LIGHT**

The C Series Emergency Light unit is easy to install and unobtrusive. This recessed fixture is designed for use in drop-panel ceilings and blends in to make it ideal for office and restaurant environments. Perfect for locations where there is limited wall space and where the greater directional flexibility of ceiling mounted heads is necessary to provide a wider light distribution.


**LAMP SELECTION**

TYPE	OPTIONS	WATTS
<b>6V Tungsten</b>	Standard:	9W
	Halogen (H):	8W, 10W, 12W, 20W
<b>6V Sealed Beam</b>	Standard (SB):	9W, 12W, 18W
	Halogen (SBH):	12W, 20W
<b>12V Tungsten</b>	Standard:	9W, 18W
	Halogen (H):	8W, 12W, 20W, 35W
<b>12V Sealed Beam</b>	Standard (SB):	12W, 18W
	Halogen (SBH):	8W

**ORDERING INFORMATION**

MODEL	VOLTAGE	WATTS	HEAD TYPE	LAMP TYPE	OPTIONS
C	6 (volt DC)	27 (6v)	2 = Two Heads	See Lamp Selector	SD = Self-Diagnostics
		36 (6v, 12v)	0 = No Heads		NC = NiCad Battery
	54 (6v, 12v)		V = Voltmeter		
	100 (6v, 12v)		TD = Time Delay (Specify Volt)		
	125 (6v, 12v)		MRB = MR16 Bullet Heads		
					CC = Custom Color

Ordering Example: C-12-36-2-12VSB-18W-TD120