

GAS STATION CANOPY

Detailed Specifications

HOUSING

Die cast aluminum housing & hinged top frame, safety cable restraint, 1/2" coin plugs with O-rings for conduit & photocell, white powdercoat finish over a chromate conversion coating. Two stainless steel latches provide tool-less entry for relamping.

REFLECTOR

White powdercoat steel reflector.

LENS

Molded prismatic borosilicate glass lens

MOUNTING

Cast-in template for mounting directly over a 4" recessed outlet box, or use 1/2" surface conduit. Optional trim ring available.

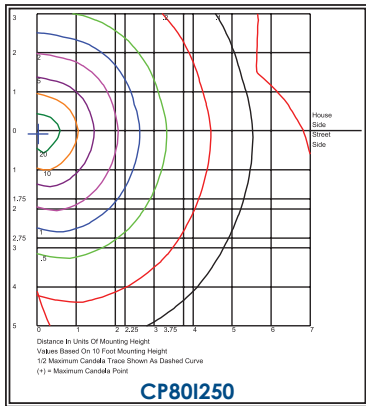
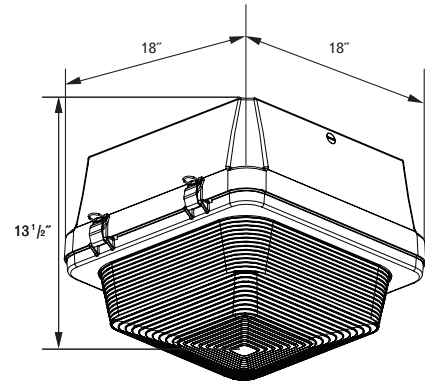
WATTAGE

Induction: 100, 120, 150, 200 or 250w, 5000K

LISTING & RATINGS

CSA: Listed for wet locations .

Custom colors available on request.



Ordering Information

Model	Length	Operation	Options
DXCP80	IND100	120-277	DXCP80TR = Trim Ring for Recessed Mounting. Includes Hardware.
	IND120		
	IND150		
	IND200		
	IND250		

Ordering Example: DXCP80-IND100-120-277

