



10-Year Limited Warranty*

DEEP VANDAL/CANOPY INDUCTION LUMINAIRE

The Deep Vandal/Canopy Induction Luminaire utilizes a soft-cornered design to provide excellent light distribution and an aesthetically appealing appearance. Ideal for storage areas, parking areas, manufacturing facilities, warehouses and canopy lighting.

Product Specifics

Light Source	40 Watt ICETRON®ECOLOGIC®
Lumens	3000 Lumens
Color Temperature	3500K, 4100K, 5000K
CRI	>80 (Ra)
Input Voltage	120/277 VAC, 50/60Hz
Fixture Weight	15 Lbs.
Rated Life	100,000 Hours
Warranty – Housing Components	2 Year Limited
Warranty – Lamp and Ballast	10 Year Limited
Ratings	UL, CSA, CE, FCC, ISO, IP65

Detailed Specifications

CONSTRUCTION

Features a durable, corrosion-resistant, die-cast aluminum enclosure with an architectural bronze or white powder coated finish. Enclosure is fully sealed and gasketed, and is Wet Location Listed for outdoor use and includes corrosion-resistant hardware. Features an internal, white steel reflector which provides ideal light distribution, and the lamp is protected by a vandal-resistant, UV stabilized polycarbonate prismatic refractor.

ELECTRONICS

Utilizes an electronic ballast, producing a high-frequency current, controlled by an integrated circuit (IC) chip allowing a power factor of up to 99%. Minimum operating temperature of -25°C (-13°F), maximum operating temperature of 50°C (122°F).

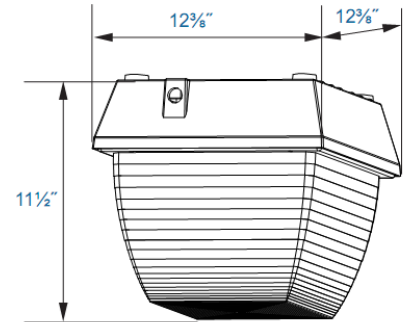
LAMPS (Included)

Available with (1) 40 Watt ICETRON®ECOLOGIC® system that provides 3000 initial lumens per lamp. The induction lamps have a 3500k, 4100k or 5000k color temperature, provide a CRI of >80 (Ra) and have a 100,000 hour rated life. Lumen Maintenance: L80 at 60,000 Hours; L70 at 100,000 Hours. Lamps and Ballasts are listed and certified by CE, FCC, UL, ISO and also meet the Electromagnetic Compatibility (EMC) standard.

INSTALLATION

Ideal for mounting to any horizontal surface and features 1/2" NPT entry points for conduit access.

Specifications are subject to change without notice.



Applications

- Garages, Public Garages
- Elevator Vestibules, Pedestrian Walkways, Public Buildings

Premium Phosphor Blend Insures Color Consistency Throughout the Life of the Lamp!

Accessories Field Installed**

VNQM = Hinged Quick-Mount Bracket

**Add suffix to model number

Ordering Information

Model	Lamp	Volts	Options
DXVN420S	IND40	120/277	SP = Surge Protection

Ordering Example: DXVN420S-IND40-120/277-SP-VNQM



Powered by **ICETRON®ECOLOGIC®**

