



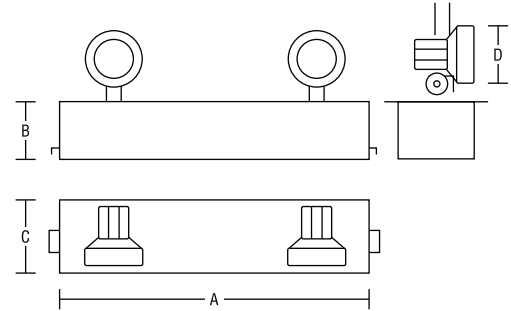
# C Series



PROJECT: \_\_\_\_\_  
 FIXTURE TYPE: \_\_\_\_\_  
 LOCATION: \_\_\_\_\_  
 CONTACT/PHONE: \_\_\_\_\_



## DIMENSIONS



Cabinet	A	B	C
A	23.75"	8.12"	4.75"
	603mm	206mm	121mm

NOTE: Dimension D (see drawing) will vary based on heads supplied.

## SPECIFICATIONS INTERNAL

The C Series is configured with universal 120/277VAC input with solid state charging circuitry. Standard features include low voltage disconnect, AC lockout and brownout protection.

## SPECIFICATIONS EXTERNAL

The C Series housing is constructed with durable 20 gauge steel. Stamped conduit knockouts are provided on the sides of all C Series units. Remote lamp loads are connected to the emergency power supply with sturdy terminal connectors. These connectors allow for a large gauge of wire to be used, increasing the flexibility of installation. The C Series is finished in a durable white powder coat. Other colors are available, including color matching. PAR36 (LR) style heads are standard. PAR18 (SR) style heads are optional. MR16 (MRB) are also offered. External test switch and monitor LED are standard.

## INSTALLATION

Specifically designed for installation into a T-bar type grid ceiling, for a clean and architecturally pleasing appearance.

## HOUSING

Constructed from durable 20 gauge steel. White powder coat standard.

## LAMPS

PAR36 (LR) style heads are standard. PAR18 (SR) style heads are optional. MR16 (MRB) are also offered. Multiple lamp options are available.

## ORDERING INFORMATION

EXAMPLE: C-6-36-0-120/277VAC-SD



Series	Operation	Pb-A (Capacity)	Ni-Cd(Capacity)	Emergency Heads	Lamps	Voltage	Options
C	6V	18 (6V)	22 (6V)	2LR (double PAR36)	See lamp selection on next page	120/277VAC	NC <sup>2</sup> (nickel-cadmium battery)
	12V	27 (6V, 12V)	42 (6V, 12V)	0 (no heads)			SD (self-diagnostic)
		36 (6V, 12V)	2SR (double PAR18)	2MRB (double, MR16)			AM (ammeter)
				1MRB (single, MR16)			B (black finish)
							BZ (audible alarm - buzzer)
							CC (custom color - specify)
							FAI <sup>3</sup> (fire alarm interface)
							IRT <sup>4</sup> (infrared testing)
							TC (teflon coated lenses)
							TD <sup>5</sup> (without AT - time delay - 5, 10, 15 min.)
							TD <sup>6</sup> (with AT - time delay - 5, 10, 15 min.)
							TP (tamper proof screws)
							VM (voltmeter)

NOTE 1: Must select NC from options when selecting Ni-Cd.

NOTE 2: NC (select wattage/voltage from Ni-Cd column).

NOTE 3: Specify type (open/closed dry contact).

NOTE 4: Available for capacities up to 36W (6V or 12V). HHC (controller for IRT) should be ordered separately.

NOTE 5: Specify AC input voltage. Must specify at time of order.

NOTE 6: Must specify at time of order, 10 min standard.



# C Series



PROJECT: \_\_\_\_\_  
 FIXTURE TYPE: \_\_\_\_\_  
 LOCATION: \_\_\_\_\_  
 CONTACT/PHONE: \_\_\_\_\_

## EMERGENCY HEADS

The C Series is normally supplied with two [2] PAR36 (LR) style heads. PAR18 (SR) style heads are optional, or MRB white steel heads utilizing MR16 lamps are also available option. The LR and SR head types feature a unique twist locking collar that securely holds the lens and facilitates quick and easy re-lamping.

## ELECTRICAL

**BATTERY:** The C Series is designed with a maintenance free, sealed valve regulated lead acid battery that provides a minimum emergency duration of 90 minutes. Optional nickel cadmium batteries are available. Recharge time of the battery is twenty-four [24] hours. The maximum working temperature is 45°C. The minimum working temperature is 10°C. Nickel cadmium batteries are available as an option.

**CIRCUIT:** The C Series utilizes a high-efficiency two stage charger providing a fully automatic constant charging current with low voltage disconnect protection. All components used in the circuitry are temperature compensated. The charger also has brownout and short circuit protection. Charger status is easily determined via a dual diagnostic LED display which indicates AC/ON and High Charge. An external test switch allows maintenance personnel to quickly determine the operational status of the unit.

## MECHANICAL

Torsion springs firmly hold the C Series cover in place allowing for easy installation and maintenance. Remote lamp loads are connected to the emergency power supply with sturdy terminal connectors. These connectors allow for a large gauge of wire to be used, increasing the flexibility of installation.

## SELF-DIAGNOSTIC

The Mule Self-diagnostic system performs one 5 minute discharge test monthly. Every 6 months two 90 minute discharge tests are performed. This tests both full battery capacity and recharge capability, as required by the fire code. The information is communicated simply and intuitively to maintenance personnel via a single multi-color LED. The Mule Self-diagnostic system also includes 0, 5, 10 or 20 minute time Autotest delay function to allow HID lighting to restrike.

- Red: Battery or Circuit Malfunction
- Yellow: Lamp Malfunctioning
- Green: Normal Operation

## LAMP SELECTION

	6V	12V
Incandescent	7.2, 9W	9, 12, 18W
Halogen (H)	12W	12, 20W (55W PAR36 only)
MR16 (MRB)	N/A	20, 35, 50W
MR16 LED <sup>1</sup>	5W, 7W	2, 5, 7W

<sup>1</sup> Note: LED lamps can be installed in SRP and MRB heads only.

## MODEL RATING GUIDE

Model	Voltage	Wattage			
		90min	120min	180min	240min
C-6-18	6	18	14	9	7
C-6-22	6	22	17	11	9
C-6-27	6	27	20	14	10
C-6-36	6	36	27	18	14
C-6-42	6	42	32	21	16
C-12-27	12	27	20	14	10
C-12-36	12	36	27	18	13
C-12-42	12	42	32	21	16

NOTE: Cabinet size may change based on configurations.

## WARRANTY

The C Series comes with a 3-year factory warranty. Lamps are not covered under the warranty. Deliberate damage, misuse, improper installation effectively cancel the warranty.