



C1D2 Unit

HAZARDOUS | VANDAL RESISTANT



PROJECT: _____
 FIXTURE TYPE: _____
 LOCATION: _____
 CONTACT/PHONE: _____



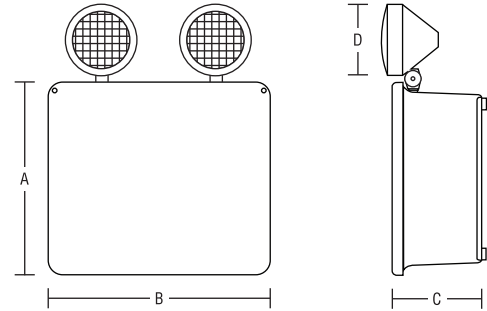
SPECIFICATIONS: INTERNAL

The C1D2 UNIT has a standard 120/277V input. The solid state, high efficiency, dual rate charger provides precise float voltage control and incorporates a low voltage disconnect for optimum protection. Fuse protection is standard.

SPECIFICATIONS: EXTERNAL

The durable NEMA 4X fiberglass enclosure is corrosion and vandal resistant. The housing is fully gasketed and is supplied standard in an industrial gray finish. The C1D2 UNIT can be surface mounted on a wall. Magnetic test switch and LED status indicator are standard.

DIMENSIONS



Series	A	B	C	D
C1D2-U	13.5" 343mm	15.5" 394mm	6.25" 159mm	5.5" 140mm

ORDERING INFORMATION

Series	Operation	Pb-A ¹ (Capacity)	Ni-Cd ² (Capacity)	Emergency Heads	Lamps	Options
C1D2-U	6 (6V)	36 (6V, 12V)	42 (6V, 12V)	4LR (quad PAR36)	See lamps	SD (self-diagnostic)
	12 (12V)	60 (6V, 12V)	54 (6V)	3LR (triple PAR36)	selection on	NC ^[3] (nickel-cadmium battery)
		72 (6V)	90 (6V, 12V)	2LR (double PAR36)	next page	TD ^[4] (time delay- specify 5, 10, 20 mins)
	100 (6V)	130 (12V)	1LR (single PAR36)		TP (tamper proof screws)	
	120 (6V, 12V)		0 (no heads)		AM (ammeter)	
	140 (12V)				VM (voltmeter)	

[1]NOTE: Sealed lead calcium.
 [2]NOTE: Nickel-cadmium. Must select NC from options when selecting Ni-Cd.
 [3]NOTE: NC (select wattage/voltage from Ni-Cd column).
 [4]NOTE: Must specify at time of order, 10 min standard.
 [5]NOTE: Specify type- open/closed dry contact.

EXAMPLE: C1D2-U-12-72-2LRWP-9W-WG





C1D2 Unit

HAZARDOUS | VANDAL RESISTANT



PROJECT: _____
 FIXTURE TYPE: _____
 LOCATION: _____
 CONTACT/PHONE: _____

EMERGENCY HEADS

As standard, the C1D2 UNIT is supplied with two (2) top mounted, weatherproof PAR36 style emergency heads. Constructed of high impact thermoplastic and finished in a neutral gray finish. The emergency head design features a locking collar that securely holds the lens in place and facilitates quick re-lamping.

SPECIFICATIONS: ELECTRICAL

BATTERY: The C1D2 UNIT is designed with maintenance free, sealed lead acid batteries providing a minimum emergency duration of 90 minutes. Recharge time for the battery is forty-eight [48] hours. Optional nickel cadmium batteries are available. The maximum battery operating temperature is +40°C and the minimum is +10°C.

CIRCUIT: The C1D2 UNIT utilizes a high-efficiency two stage charger providing precise float voltage control with low voltage disconnect protection. All components used in the circuitry are temperature compensated. The charger also has brownout and short circuit protection. Charger status is easily determined via a dual diagnostic LED display which indicates AC/ON and High Charge. A magnetic test switch allows maintenance personnel to quickly determine the operational status of the unit and lamp load, (magnet included).

SPECIFICATIONS: MECHANICAL

The C1D2 UNIT housing is constructed from durable, corrosion resistant fiberglass. The housing is fully gasketed for harsh and hazardous locations. The front access panel/door is hinged for trouble-free installation and maintenance. The C1D2 UNIT features a stainless steel breather valve that proves efficient ventilation. Remote lamp loads are connected to the emergency power supply with sturdy terminal connectors.

The C1D2 has been designed to perform in applications where the environment would punish any standard unit. The entire internal cavity of the sign is protected from moisture ingress by an extremely resilient gasket. The gasketing always holds its original form and has “memory retention” so that it effectively and consistently protects the C1D2 from moisture.

HAZARDOUS APPROVALS

The C1D2 series is approved for use in Class 1, Division 2, Groups A, B, C and D: T2B area classification. In addition, the C1D2 is also suitable for Class I, Zone 2, IIA, IIB & IIC: T1 & T2 area classification.

SELF-DIAGNOSTIC

The Mule self-diagnostic feature automatically performs a 5 minute discharge test monthly. Every 6 months, two 90 minute discharge tests are performed 24 hours apart. This tests both the battery capacity and recharge capability. The status of the C1D2 UNIT is communicated clearly with a single, multi-color LED indicator.

LAMP SELECTION (ONLY PAR36 STYLE HEADS AVAILABLE)

	6V	12V
Composite Tungsten	9, 18W	9, 18W
Sealed Beam LED (LEDSB)	N/A	6W

MODEL RATING GUIDE

Model	Voltage	Wattage			
		90min	120min	180min	240min
C1D2-U-6-36	6	36	27	18	13
C1D2-U-6-42	6	42	31	21	15
C1D2-U-6-54	6	54	40	27	20
C1D2-U-6-60	6	60	45	30	22
C1D2-U-6-72	6	72	54	36	27
C1D2-U-6-90	6	90	67	45	33
C1D2-U-6-100	6	100	75	50	25
C1D2-U-6-120	6	120	90	60	45
C1D2-U-12-36	12	36	27	18	13
C1D2-U-12-42	12	42	31	21	15
C1D2-U-12-60	12	60	45	30	22
C1D2-U-12-90	12	90	67	45	33
C1D2-U-12-120	12	120	90	60	45
C1D2-U-12-130	12	130	97	65	48
C1D2-U-12-140	12	140	105	70	52

WARRANTY

The C1D2 UNIT comes with a 3-year factory warranty. Lamps are not covered under the warranty. Deliberate damage, misuse, improper installation effectively cancel the warranty.