



Renaissance CEL Series Recessed and Surface Mount

COMMERCIAL GRADE EDGE-LIT LED EXIT



PROJECT: _____
FIXTURE TYPE: _____
LOCATION: _____
CONTACT/PHONE: _____



Surface Mounting



Recessed Mounting

PRODUCT DESCRIPTION

The Renaissance Series recessed mounted edge-lit exit features a recessed mounting capability for both drywall and drop ceilings. The surface mounted edge-lit exit features a universal mounting capability and provides an attractive yet easy to install exit sign. The crystal clear lens panel provides excellent light distribution, exit visibility and quick snap-in installation. The Renaissance incorporates long life, energy efficient LED lamps that reduce energy costs and eliminate routine lamp maintenance. The under five minute installation time makes it the fastest installed edge-lit exit on the market today.

INSTALLATION/MOUNTING

Recessed:

- Ceiling recessed
- Includes telescoping bar hangers for joist or T-bar ceiling applications
- Vertically adjustable to accommodate varying ceiling thickness
- Can be installed in drywall or suspended ceilings

Surface:

- May be top, back, or end mounted
- All signs include die cast aluminum canopy and mounting hardware for easy top, back, or end mount installation

ACCESSORIES⁵

ACCESSORY	DESCRIPTION
PKCEL1-*	1 ft Pendant Mount Kit
PKCEL2-*	2 ft Pendant Mount Kit

⁵ Order as separate line item. Field installation

*Must specify finish for pendant, WH = White or BL = Black.

ORDERING INFORMATION

Model	Faces	Operation	Letter/Panel	Trimplate Color	Mounting	Option
CEL	1 = Single	A = AC Only	RC ² = Red on Clear	WH = White	R = Recessed	SD ¹ = Self-Diagnostics
	2 = Double	B = Battery Backup	GC ² = Green on Clear	BL = Black	WR = Wall Recessed	DLC120 ³ = Dual Circuit 120V
			RM = Red on Mirror	BA = Brushed Aluminum	U ⁴ = Universal	DLC277 ³ = Dual Circuit 277V
			GM = Green on Mirror		Surface Mount	SL = Special Lettering
			RW = Red on White			USA = Assembled in USA
			GW = Green on White			

NOTES: ¹ Not available on AC units ² Not available for double face units

³ AC only, use with inverter or generator applications only ⁴ Includes canopy for ceiling, wall & end mounting.

ORDERING EXAMPLE: CEL-1-B-RC-WH-U

SPECIFICATIONS

Construction

- Crystal clear acrylic face panel
- Mirrored or white divider provided on double face signs to simulate clear aesthetics
- Extruded aluminum housing
- Includes die cast aluminum canopy for top, back or end mounting
- Predrilled canopy attachment locations with easily removed hole covers
- 6" letters with 3/4" stroke width
- Full-size, chevron directional indicators
- Field-applied chevron directional indicators with pre-applied installation template
- Red or Green letters
- Available in anodized aluminum, black, and white finish.

For Recessed Mounting:

- Steel recessed housing with plug in connectors for quick and easy trim installation
- Includes telescopic bar hangers with build-in graduated scale that extend from 14" to 24" and can be installed in any of the four sides of the housing.
- The bar hangers are suitable for joist installation and come with a T-bar slot for grid ceiling installation
- Bar hanger ends are designed with a nail-in tab for initial positioning
- Vertically adjustable up to 1" to accommodate different ceiling thickness.

Electrical

- Dual voltage 120/277VAC
- Rated for use in damp locations
- Solid state charging and switching
- Brownout protection
- Battery low voltage disconnect
- Overload and short circuit protection
- AC power indicator and test switch.
- Isolating transformer is mounted on the recessed housing
- A quick connector for the recessed mounting makes attaching the trim to the housing fast and easy.
- Recessed housing comes with 3/4" knock-outs for AC input in different locations
- An AC ON light shows when the unit is powered up

Lamps

- Long life, energy saving LED lamps
- Red or green LED/letters
- Signs consume less than 4 watts.

Battery

- Sealed, 4.8V maintenance-free nickel cadmium
- Battery will operate sign for a minimum of 90 mins in the event of a power outage.
- Temperature rating is 0-50 degrees C.

Code Compliance

- UL924
- Damp location rated
- NFPA 101 Life Safety Code compliant
- NEC and OSHA compliant
- CEC Title 20 Compliant
- RoHS Compliant

Warranty

- 5-year warranty. Product specifications subject to change without notice.



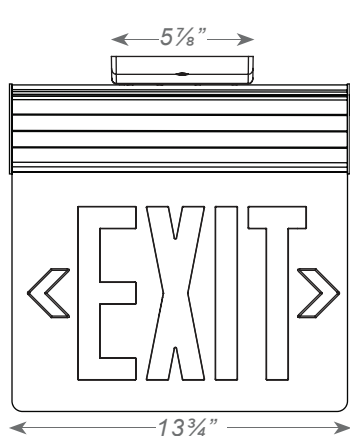


**Renaissance CEL Series
Recessed and Surface Mount**

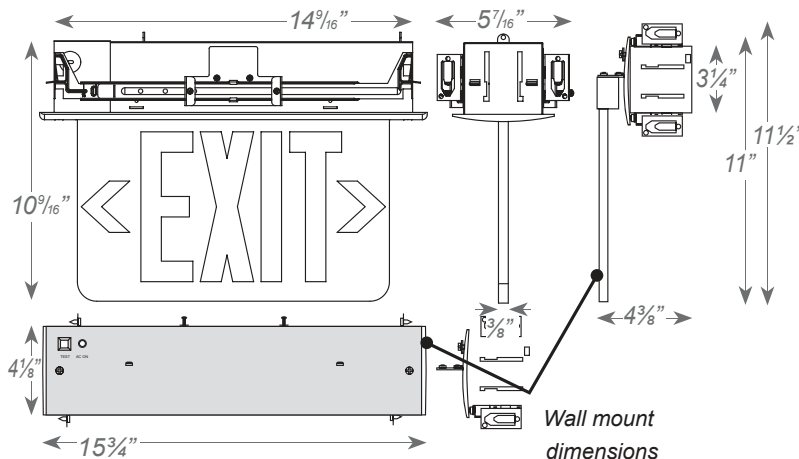


PROJECT: _____
 FIXTURE TYPE: _____
 LOCATION: _____
 CONTACT/PHONE: _____

DIMENSIONS



Surface Mounting



Recessed Mounting

ELECTRICAL INFORMATION

CATALOG NUMBER	INPUT WATTS (W)					INPUT AMPS (A)				
	120V	277V	208V	220V	240V	120V	277V	208V	220V	240V
CEL-RED/GREEN/BATTERY	3.6	4.0	3.9	3.93	3.98	0.030	0.020	0.022	0.022	0.020
CEL-RED/GREEN/SD/DLC120-277	3.6	4.0	-	-	-	0.030	0.020	-	-	-