



Renaissance CEL Series - Surface

COMMERCIAL GRADE EDGE-LIT LED EXIT



PROJECT: _____
 FIXTURE TYPE: _____
 LOCATION: _____
 CONTACT/PHONE: _____

PRODUCT DESCRIPTION

The Renaissance Series surface mounted edge-lit exit features a universal mounting capability and provides an attractive yet easy to install exit sign. The crystal clear lens panel provides excellent light distribution, exit visibility and quick snap-in installation. The Renaissance incorporates long life, energy efficient LED lamps that reduce energy costs and eliminate routine lamp maintenance. The under five-minute installation time makes it the fastest installed edge-lit exit on the market today.

PRODUCT SPECIFICATIONS

CONSTRUCTION Crystal clear acrylic face panel • Mirrored or white divider provided on double face signs to simulate clear aesthetics • Extruded aluminum housing • Includes die cast aluminum canopy for top, back or end mounting • Pre-drilled canopy attachment locations with easily removed hole covers • 6" letters with 3/4" stroke width • Full-size, chevron directional indicators • Field-applied chevron directional indicators with pre-applied installation template • Red or Green letters • Available in anodized aluminum, black, and white finish.

ELECTRICAL

F wri'xqnci g'342499XCE'ÉTcvf 'hqt'wug'lp'f co r 'r'qecv'kpu'ÉUqrk' 'ucv'g'ej cti lpi " cpf 'ly kej lpi 'ÉDty pqw'r tqv'ekqp'ÉDcwt { 'ry 'xqnci g'f k'ueqppge'ÉQxgtmcf " cpf 'lj qt'v'ekw'r tqv'ekqp'ÉCE'r qy gt 'lpf k'ecvt'cpf 'g'uv'ly kej 0

LAMPS

Nqpi 'ihg.'gpgti { 'ucx'lp'i 'NGF'ico r u'ÉT'gf "qt'Gtggp'NGF h'gwtu'ÉU'i pu'equwo g'h'guu' j cp'6'y cwu0

BATTERY

Sealed, 4.8V maintenance-free nickel cadmium • Battery will operate sign for a minimum of 90 minutes in the event of a power outage. • Temperature rating is 0-50 degrees C.

CODE COMPLIANCE WN; 46'ÉF co r 'r'qecv'kqp'tcvf'ÉP'HRC'323'Nhg'U'chgv'Éqf'g' eqo r r'kcpv'ÉP'GE'cpf'QU' C'eqo r r'kcpv'0

WARRANTY

5-year warranty. Product specifications subject to change without notice.

INSTALLATION

MOUNTING

May be top, back or end mounted • All signs include die cast aluminum canopy and mounting hardware for easy top, back or end mount installation.



ORDERING INFORMATION

model	faces	operation	letter/panel	housing	mounting	options
CEL	1 = Single 2 = Double	A = AC Only B = Battery Backup	RC = Red on Clear GC = Green on Clear RM = Red on Mirror GM = Green on Mirror RW = Red on White GW = Green on White	WH = White BL = Black BA = Brushed Aluminum	U ¹ = Universal Surface Mount	SD ² = Self-Diagnostics DLC ³ = Dual Circuit Input SL = Special Lettering USA = Assembled in USA

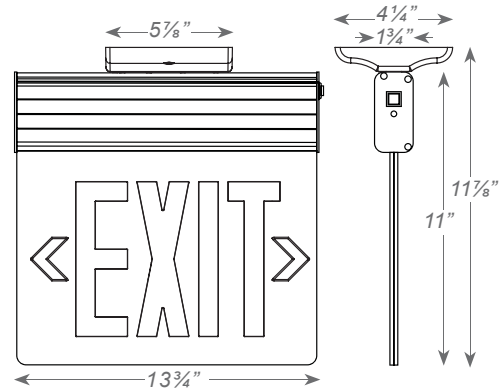
Notes

¹ Includes canopy for ceiling, wall & end mounting

² Not available on AC units

³ AC only, use with inverter or generator applications only

⁴ Order as separate line item. Field installation



ACCESSORIES⁴

ACCESSORY	DESCRIPTION
PKCEL1	1ft Pendant Mount Kit
PKCEL2	2ft Pendant Mount Kit

Ordering Example: CEL-1-B-RC-BA-U-SD