



Renaissance CEL Series - Recessed

COMMERCIAL GRADE EDGE-LIT LED EXIT



PROJECT: _____
 FIXTURE TYPE: _____
 LOCATION: _____
 CONTACT/PHONE: _____

PRODUCT DESCRIPTION

The Renaissance Series recessed mounted edge-lit exit features a recessed mounting capability for both drywall and drop ceilings. The crystal clear lens panel provides excellent light distribution, exit visibility and quick snap-in installation. The Renaissance incorporates long life, energy efficient LED lamps that reduce energy costs and eliminate routine lamp maintenance. The under five-minute installation time makes it the fastest installed edge-lit exit on the market today.

PRODUCT SPECIFICATIONS

CONSTRUCTION

Crystal clear acrylic face panel • Mirrored or white divider provided on double face signs or single face signs that are needed with a non-clear background • 6" letters with 3/4" stroke width • Field-applied chevron directional indicators with pre-applied, easily removable installation template • Red or green letters • Steel recessed housing with plug in connectors for quick and easy trim installation • Includes telescopic bar hangers with built-in graduated scale that extend from 14" to 24" and can be installed in any of the four sides of the housing • The bar hangers are suitable for joist installation and come with a T-bar slot for grid ceiling installation • Bar hanger ends are designed with a nail-in tab for initial positioning • Vertically adjustable up to 1" to accommodate different ceiling thickness.

ELECTRICAL

Dual voltage 120/277VAC • Isolating transformer is mounted on the recessed housing • A quick connector makes attaching the trim to the housing fast and easy • Recessed housing comes with 3/4" knock-outs for AC input in different locations • An AC ON light shows when the unit is powered up.

LAMPS

Sealed, 4.8V maintenance-free nickel cadmium • Battery will operate sign for a minimum of 90 minutes in the event of a power outage. • Temperature rating is 0-50 degrees C.

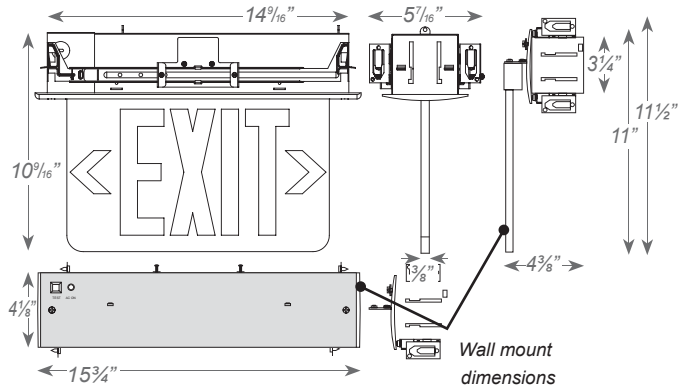
BATTERY

Sealed, 4.8V maintenance-free nickel cadmium • Battery will operate sign for a minimum of 90 minutes in the event of a power outage. • Temperature rating is 0-50 degrees C.

CODE COMPLIANCE • UL 924 • ENEC • CE • FCC • IEC • IEC 60598-2-22 • IEC 60598-2-23 • IEC 60598-2-24 • IEC 60598-2-25 • IEC 60598-2-26 • IEC 60598-2-27 • IEC 60598-2-28 • IEC 60598-2-29 • IEC 60598-2-30 • IEC 60598-2-31 • IEC 60598-2-32 • IEC 60598-2-33 • IEC 60598-2-34 • IEC 60598-2-35 • IEC 60598-2-36 • IEC 60598-2-37 • IEC 60598-2-38 • IEC 60598-2-39 • IEC 60598-2-40 • IEC 60598-2-41 • IEC 60598-2-42 • IEC 60598-2-43 • IEC 60598-2-44 • IEC 60598-2-45 • IEC 60598-2-46 • IEC 60598-2-47 • IEC 60598-2-48 • IEC 60598-2-49 • IEC 60598-2-50 • IEC 60598-2-51 • IEC 60598-2-52 • IEC 60598-2-53 • IEC 60598-2-54 • IEC 60598-2-55 • IEC 60598-2-56 • IEC 60598-2-57 • IEC 60598-2-58 • IEC 60598-2-59 • IEC 60598-2-60 • IEC 60598-2-61 • IEC 60598-2-62 • IEC 60598-2-63 • IEC 60598-2-64 • IEC 60598-2-65 • IEC 60598-2-66 • IEC 60598-2-67 • IEC 60598-2-68 • IEC 60598-2-69 • IEC 60598-2-70 • IEC 60598-2-71 • IEC 60598-2-72 • IEC 60598-2-73 • IEC 60598-2-74 • IEC 60598-2-75 • IEC 60598-2-76 • IEC 60598-2-77 • IEC 60598-2-78 • IEC 60598-2-79 • IEC 60598-2-80 • IEC 60598-2-81 • IEC 60598-2-82 • IEC 60598-2-83 • IEC 60598-2-84 • IEC 60598-2-85 • IEC 60598-2-86 • IEC 60598-2-87 • IEC 60598-2-88 • IEC 60598-2-89 • IEC 60598-2-90 • IEC 60598-2-91 • IEC 60598-2-92 • IEC 60598-2-93 • IEC 60598-2-94 • IEC 60598-2-95 • IEC 60598-2-96 • IEC 60598-2-97 • IEC 60598-2-98 • IEC 60598-2-99 • IEC 60598-2-100

WARRANTY

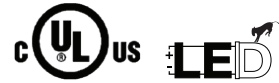
5-year warranty. Product specifications subject to change without notice.



INSTALLATION

MOUNTING

Ceiling recessed • Includes telescoping bar hangers for joist or T-bar ceiling applications • Vertically adjustable to accommodate varying ceiling thickness • Can be installed in drywall or suspended ceilings.



ORDERING INFORMATION

model	faces	operation	letter/panel	trimplate color	mounting	options
CEL	1 = Single	A = AC Only	RC = Red on Clear	WH = White	R = Ceiling Recessed	SD ¹ = Self-Diagnostics
	2 = Double	B = Battery Backup	GC = Green on Clear	BL = Black	WR = Wall Recessed	DLC ² = Dual Circuit Input
			RM = Red on Mirror	BA = Brushed Aluminum		SL = Special Lettering
			GM = Green on Mirror			USA = Assembled in USA
			RW = Red on White			
			GW = Green on White			

Notes

¹ Not available on AC units

² AC only, use with inverter or generator applications only

Ordering Example: CEL-1-B-RC-BA-R-SD