



CEU LOW PROFILE ALL LED EXIT & EMERGENCY THERMOPLASTIC COMBO



PROJECT: _____
 FIXTURE TYPE: _____
 LOCATION: _____
 CONTACT/PHONE: _____



ELECTRICAL

- Dual 120V/277 voltage standard. Optional dual 120V/230V available.
- Unique bi-color LED indicator light alerts occupant on battery condition (Green-normal, Red-check battery).
- 3.6V long life, maintenance-free, rechargeable NiCd battery.
- Internal solid-state transfer switch automatically connects the internal battery to LED board and LED lamp heads for minimum 90-minute emergency illumination.
- Fully automatic solid-state, two rate charger initiates battery charging to recharge a discharged battery in 24 hours.

OPTIONS

- RC: Remote capacity of up to 1.0 watts.
- SPV: UL Listed for special voltage option.
- HL: Provides increased center-to-center spacing (2.0W per head).

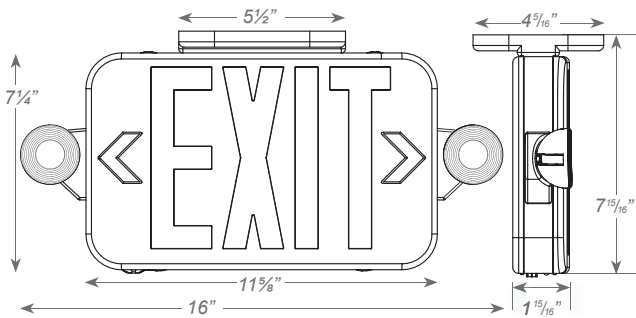
MOUNTING

- EZ-snap thermoPlastic mounting canopy included –provides top or end mount.
- Universal knockout pattern on back plate for wall mount.

WARRANTY & LISTING

- One year warranty on all electronics and housing. Battery prorated for one year.
- UL Listed for damp locations (0°C – 40°C).
- Meets UL924, NFPA 101 Life Safety Code, NEC, OSHA, Local and State Codes.
- Certified to CEC under Title 20 Regulations.

DIMENSIONS



ILLUMINATION

- Adjustable long lasting, efficient ultra bright white LED lamp heads.
- One, 0.5 watt white LED per lamp head.
- Unique all inclusive lamp, reflector and lens assembly.
- Long-lasting, energy efficient Red or Green LED EXIT sign illumination.

HOUSING

- Injection-molded, engineering grade, 5VA flame retardant,
- Aesthetically pleasing, curved face rounded corner design, high-impact, thermoPlastic in white or black finish.
- EZ snap-out Chevron directional indicators.

ORDERING INFORMATION

Model	No. of Faces	Letter Color	Housing Color	Options
CEU	3 = Universal Single/ Double Face	R = Red G = Green	W = White B = Black	RC = Remote Capacity ¹ SPV = 120/230 Volt 50/60Hz HL = High Lumen ¹

SALIDA face plate option available. Check with your Mule Representative.

¹ -HL and -RC options cannot be combined. 0.5W of remote capacity available standard with -HL option

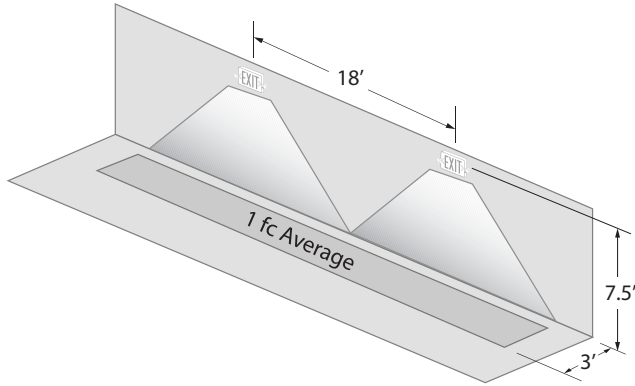
Example: CEU3RW





SPACING GUIDES

3ft Path Spacing



6ft Path Spacing

