



# CEU LOW PROFILE ALL LED EXIT & EMERGENCY THERMOPLASTIC COMBO



PROJECT: \_\_\_\_\_  
 FIXTURE TYPE: \_\_\_\_\_  
 LOCATION: \_\_\_\_\_  
 CONTACT/PHONE: \_\_\_\_\_



## ELECTRICAL

- Dual 120V/277 voltage standard. Optional dual 120V/230V available.
- Unique bi-color LED indicator light alerts occupant on battery condition (Green-normal, Red-check battery).
- 3.6V long life, maintenance-free, rechargeable NiCd battery.
- Internal solid-state transfer switch automatically connects the internal battery to LED board and LED lamp heads for minimum 90-minute emergency illumination.
- Fully automatic solid-state, two rate charger initiates battery charging to recharge a discharged battery in 24 hours.

## OPTIONS

- RC: Remote capacity of up to 1.5 watts.
- SPV: UL Listed for special voltage option.
- HL: Provides increased center-to-center spacing (2.0W per head).

## MOUNTING

- EZ-snap thermoPlastic mounting canopy included –provides top or end mount.
- Universal knockout pattern on back plate for wall mount.

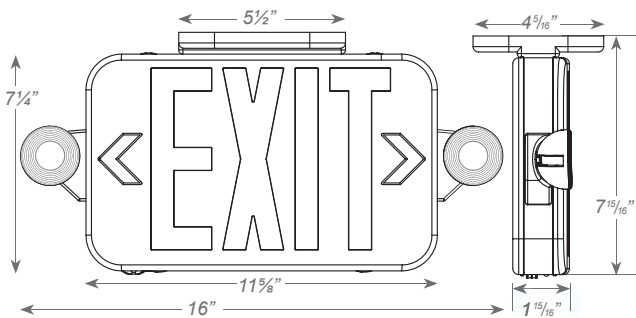
## WARRANTY & LISTING

- Five year warranty on all electronics and housing. Battery prorated for one year.
- UL Listed for damp locations (0°C – 40°C).
- Meets UL924, NFPA 101 Life Safety Code, NEC, OSHA, Local and State Codes.
- Certified to CEC under Title 20 Regulations.

## ACCESSORIES

WG-STI-9644 = Wire Guard, White  
 BG-1 = Vandal Resistant Bubble Shield

## DIMENSIONS



## ILLUMINATION

- Adjustable long lasting, efficient ultra bright white LED lamp heads.
- One, 0.75 watt white LED per lamp head, 150 Lumens.
- Unique all inclusive lamp, reflector and lens assembly.
- Long-lasting, energy efficient Red or Green LED EXIT sign illumination.

## HOUSING

- Injection-molded, engineering grade, 5VA flame retardant.
- Aesthetically pleasing, curved face rounded corner design, high-impact, thermoPlastic in white or black finish.
- EZ snap-out Chevron directional indicators.

## ordering information

Model	No. of Faces	Letter Color	Housing Color	Options
CEU	3 = Universal Single/ Double Face	R = Red G = Green	W = White B = Black	RC = Remote Capacity <sup>1</sup> SPV = 120/230 Volt 50/60Hz HL = High Lumen <sup>1</sup> (250 Lumens)

<sup>1</sup> -HL and -RC options cannot be combined. 0.5W of remote capacity available standard with -HL option

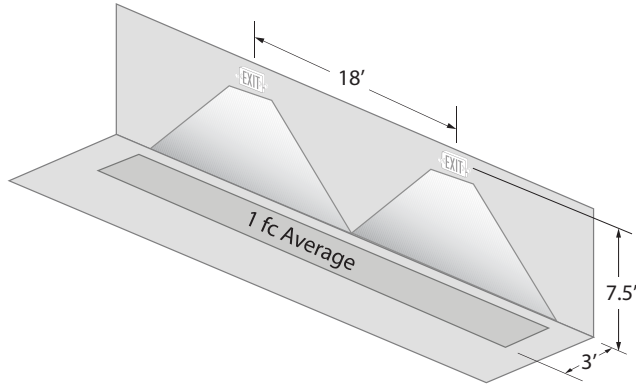
Example: CEU3RW



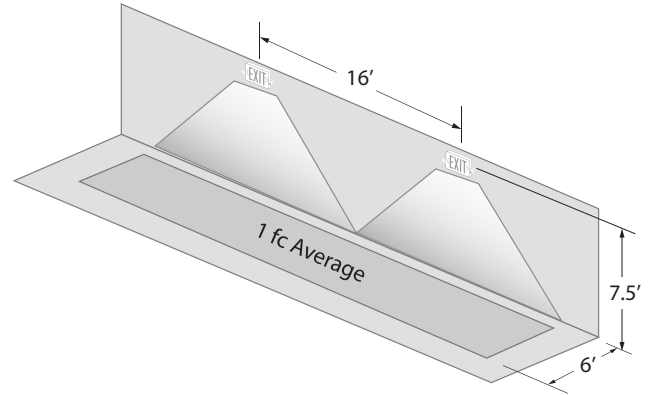


**SPACING GUIDES**

**3ft Path Spacing**



**6ft Path Spacing**



**LED REMOTE HEADS (ORDER SEPARATELY)**

MODEL	DESCRIPTION
RM-1	Single LED Remote Indoor
RM-2	Double LED Remote Indoor
R-ASRLED-1-WP-W	Single LED Remote Outdoor, White
R-ASRLED-1-WP-GR	Single LED Remote Outdoor, Gray
R-ASRLED-1-WP-BL	Single LED Remote Outdoor, Black
R-ASRLED-2-WP-W	Double LED Remote Outdoor, White
R-ASRLED-2-WP-GR	Double LED Remote Outdoor, Gray
R-ASRLED-2-WP-BL	Double LED Remote Outdoor, Black

indoor remote heads



outdoor remote heads

