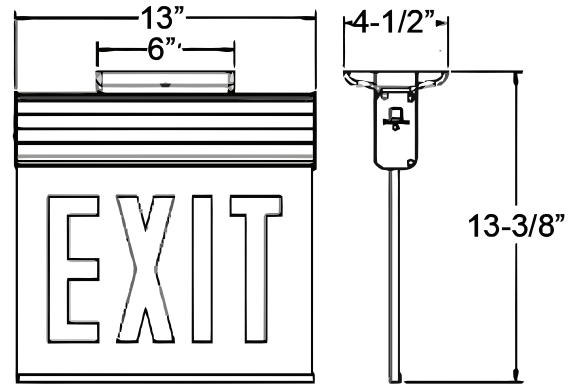




DIMENSIONS



ILLUMINATION

- Ultra-bright, energy efficient, long-lasting white LEDs provide uniform illumination.
- UV stabilized, silk screened acrylic panels provide consistent, uniform illumination.

WARRANTY & LISTINGS

- UL listed for damp locations (0° –50°C).
- Meets UL924, NFPA101 Life Safety Code, NEC, OSHA, Local and State Codes.
- Meets city of Chicago requirements.
- Certified to CEC under Title 20 Regulations.
- Five year warranty on all electronics and housing. Battery prorated for five years.

MOUNTING

- Die-cast aluminum mounting canopy provided for universal top, end or back mount.

ELECTRICAL

- Dual 120V/277 voltage.
- Charge rate/power “ON” LED indicator light and push to test switch for mandated code compliance testing.
- 4.8V Long-life, maintenance-free, rechargeable NiCd battery (EM models only).
- Internal solid-state transfer switch automatically connects the internal battery to LED board for minimum 120-minute emergency illumination.
- Fully automatic solid-state, two-rate charger initiates battery charging to recharge a discharged battery in 24 hours.

HOUSING

- Premium-grade, extruded aluminum housing (also available in optional white powder-coated finish).
- Single or double face configurations.

ORDERING INFORMATION



EXAMPLE: CHCAELXTEU1RWAEM-NA

MODEL	NO. OF FACES	LETTER	HOUSING	BATTERY	SIGNAGE/DIRECTIONAL ARROWS
CHCAELXTEU	1= Single Face 2= Double Face	RW= Red on White	A= Aluminum W= White	(blank)= AC-Only EM= Battery Backup	-NA = Exit No Arrow -S-NA = Stair No Arrow -DA = Exit Double Arrow -S-DA = Stair Double Arrow -RA ¹ = Exit Right Arrow -S-RA ¹ = Stair Right Arrow -LA ¹ = Exit Left arrow -S-LA ¹ = Stair Left Arrow -LARA ² = Exit Left/Right Arrow -S-LARA ² = Stair Left/Right Arrow

¹ Available in single face configuration only. ² Available in double face configuration only.