



COVERT LED Series

FULLY RECESSED ARCHITECTURAL LED EMERGENCY LIGHT



PROJECT: _____
 FIXTURE TYPE: _____
 LOCATION: _____
 CONTACT/PHONE: _____

PRODUCT DESCRIPTION

Recessed and practically invisible in normal mode, the COVERT blends effortlessly into a building environment and outperforms most other emergency lighting. The ultimate blend of form and function.

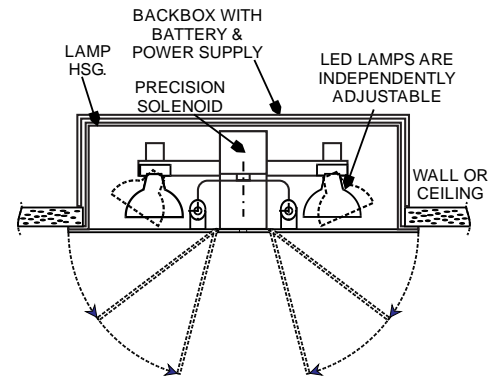
BENEFITS & FEATURES

- Following AC power failure, cover doors open instantly and provide emergency lighting to area required, with automatic retraction when AC power is restored
- Cover doors may be color matched, textured, or even wallpapered to match any interior finish, When closed in normal mode, the unit is almost invisible
- Universal Wall or Ceiling mount
- Doors are operated automatically using a spring and solenoid with magnetic latch for years of worry-free operation
- Flush fitting covers feature internal reflective surfaces to maximize light output
- No unauthorized access to lamp heads prevents tampering



LIGHTING

- Dual MR16 LED lamps available in 12 or 16 watts total - Lamp life of 60,000 hours means most installations will never require replacement
- Swivel mounted lamps are fully adjustable and lock into the desired position



ELECTRONICS

- Universal AC input 120/277 VAC
- Low power consumption in standby mode
- Isolated switch mode power supply with regulated current and voltage output to lamp load and battery
- Automatic, controlled charge rate for fast charged and maximum battery life

AUTOMATIC BATTERY DIAGNOSTICS

- Advanced microprocessor continuously monitors all charger functions and battery condition
- Automatically performs all tests and visual indications as required by UL 924
- Multi-color LED diagnostic display
- Optional full-function alpha-numeric display (remote test panel).
- ETL to UL 924, N.E.C., OSHA, N.F.P.A. Life Safety Code 101



ORDERING INFORMATION

MODEL	LAMP WATTAGE	BATTERY TYPE	BATTERY RUN TIME	OPTIONS	
CVT-LED	12 = 2 x 6 Watt	WB = Sealed Lead Calcium	0 = 90 Minutes	RTP	Remote Test Panel
	16 = 2 x 8 Watt	NC = Nickel Cadmium	2 = 2 Hours	DR	Damp Location Rated
				SM	Surface Mounted

Ordering Example: CVT-LED-12-WB-0

COVERT LED Series

FULLY RECESSED ARCHITECTURAL LED EMERGENCY LIGHT



PROJECT: _____
FIXTURE TYPE: _____
LOCATION: _____
CONTACT/PHONE: _____

CONSTRUCTION

The Covert LED series is constructed of a galvanized steel back box with aluminum doors and lamp housing. Doors are operated automatically using a spring and solenoid system with a magnetic latch for years of worry-free operation.

ILLUMINATION

Illumination of the Covert LED series is accomplished utilizing two high-intensity, long-life fully adjustable 12 Volt MR16 LED lamps. Available in 12 and 16 watts. Metallized reflectors deliver maximum light to total path of egress. 60,000 hours of lamp life.

INSTALLATION

Hanger bars are not included.

ELECTRICAL

Input

Dual-voltage input 120 or 277VAC

Sealed Nickel Cadmium Battery - NiCad (NC)

Nickel cadmium batteries are maintenance-free with a life expectancy of 15 years. Nickel cadmium batteries offer high discharge rates and continue to perform in a vast temperature range from 32°F - 104°F (0°C - 40°C).

Sealed Lead Acid Battery - SLA (WB)

Sealed lead acid batteries are maintenance-free with a life expectancy of 5 years. Sealed lead acid batteries provide a relatively large power-to-weight ratio making them ideal for emergency applications. Lead Acid batteries perform optimally in temperatures ranging from 59°F - 104°F (15°C - 40°C).

Self-Test/Self-Diagnostics (Standard)

The Self-Diagnostic circuit continuously monitors the operating condition of the AC power, battery supply voltage, emergency lamp continuity and charging circuit.

The purpose of this option is to provide visual signaling in response to a fault at the emergency units battery and/or battery charger. If a failure is detected, visual status will occur immediately via the CHARGER LED and/or the BATTERY FAULT LED. The LEDs will stay illuminated until the fault is corrected.

The Self-Diagnostic circuit also monitors the transfer circuit as well as performing automatic code compliant testing. The Self-Diagnostic circuit will perform a 30 second discharge and self-test every 28-30 days. A 90 minute discharge and self-test is performed every 12 months.

OPTIONS

Remote Test Panel (Accessory RTP)

Diagnostic display by multicolor LED or full function alpha numeric display.

Damp Location Rated (Option DR)

Damp location rated fixture that is normally or periodically subject to condensation of moisture in, on or adjacent to, and includes partially protected locations.

CONFORMANCE TO CODES & STANDARDS

The Covert LED Series is ETL listed and meets or exceeds the following: UL 924, NEC requirements and NFPA 101.

MOUNTING DATA AND DIMENSIONS

