

BENEFITS & FEATURES

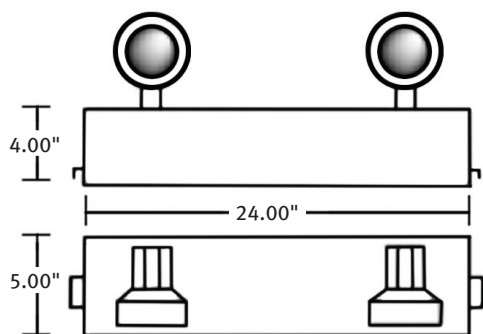
- Completely self-contained
- Sealed maintenance-free lead calcium batteries (calcium or pure lead)
- Provides a minimum emergency duration of 90 minutes
- Standard with 9 watt tungsten lamps
- 120/277 volt selectable input
- Low voltage disconnect
- Brownout protection
- 100% solid state charger
- Sealed relay
- Push-to-test switch
- LED indicator light
- Simplified drop-in mounting
- Matte white finish standard
- Certified by ETL

SELF DIAGNOSTICS (SD OPTION)

Continually diagnoses unit performance and tests system (auto battery discharge every 30 days for 30 minutes and once every 12 months for 90 minutes) to meet electrical and life safety codes.

RECESSED T-BAR EMERGENCY LIGHT

The C Series Emergency Light unit is easy to install and unobtrusive. This recessed fixture is designed for use in drop-panel ceilings and blends in to make it ideal for office and restaurant environments. Perfect for locations where there is limited wall space and where the greater directional flexibility of ceiling mounted heads is necessary to provide a wider light distribution.


LAMP SELECTION

TYPE	OPTIONS	WATTS
6V Tungsten	Standard:	9W
	Halogen (H):	8W, 10W, 12W, 20W
6V Sealed Beam	Standard (SB):	9W, 12W, 18W
	Halogen (SBH):	12W, 20W
12V Tungsten	Standard:	9W, 18W
	Halogen (H):	8W, 12W, 20W, 35W
12V Sealed Beam	Standard (SB):	12W, 18W
	Halogen (SBH):	8W

ORDERING INFORMATION

MODEL	VOLTAGE	WATTS	HEAD TYPE	LAMP TYPE	OPTIONS
C	6 (volt DC)	27 (6v)	2 = Two Heads	See Lamp Selector	SD = Self-Diagnostics
	12 (volt DC)	36 (6v, 12v)	0 = No Heads		NC = NiCad Battery
		60 (6v, 12v)			V = Voltmeter
		120 (6v, 12v)			TD = Time Delay (Specify Volt)
		140 (12v)			MRB = MR16 Bullet Heads
				CC = Custom Color	

Ordering Example: C-12-36-2-12VSB-18W-TD120