



## self-luminous exit

The Ever-Green Series of self-luminous exit signs are easy to install, maintenance-free exit signs. Simply mount them into place and forget about them for up to twenty years. There are absolutely no electrical connections, no batteries, no wires, nothing but self-powered luminescent tubes. This environmentally friendly sign uses tritium gas to provide illumination without electricity.



## BENEFITS & FEATURES

- No electricity, no batteries
- Double-wall housing of extruded aluminum .09" thickness
- Even illumination guaranteed for up to 20 years
- Universal field selectable chevron arrows
- Polycarbonate faceplate window .125" thickness
- Universal mounting brackets
- Standard finish is satin anodized brushed aluminum
- UL rated for Class 1, Div. 1 Hazardous Locations
- Meets NFPA-101 Life Safety Code
- Single or double face
- Observation tested for visibility up to 125ft
- Letter brightness is a minimum of .12 foot-lamberts
- Suitable for California low level applications
- Waterproof – suitable for wet locations
- Spark-proof & explosion-proof
- Tamperproof and vandal resistant

## CODE COMPLIANCE

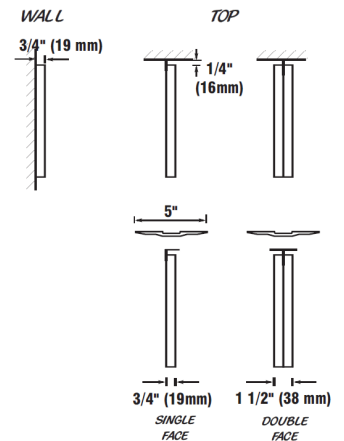
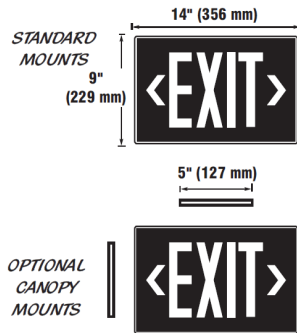
all models

- ETL Listed to UL924 Standard
- NFPA-101 life safety code
- OSHA 1910-35
- MSHA
- Unified building code
- ANSI N-540

## SUGGESTED SPECIFICATIONS

Supply and install Mule EVER-GREEN Series self-luminous EXIT signs illuminated by tritium gas lamps. The housing shall be fabricated from extruded aluminum with overall dimensions of 14" x 9" x 3/4", having a minimum external wall thickness of .09" and a polycarbonate window of .125" minimum thickness. Universal mounting brackets shall be supplied. For signs specified with a luminous life of 10 years, the minimum initial brightness measured at any point on the external surface shall be 0.12 ft L (.21 cd/m); for any other specified lifetime, the minimum surface brightness shall be 0.012 ft L (.021 cd/m) per year of specified luminous life.

### MOUNTING DATA & DIMENSIONS:



## ORDERING INFORMATION

| model | # of faces | rated life    | housing color         | face color | options                |
|-------|------------|---------------|-----------------------|------------|------------------------|
| EGX   | 1 = Single | 10 = 10 Years | BA = Brushed Aluminum | R = Red    | PM = Pendant Mount Kit |
|       | 2 = Double | 20 = 20 Years |                       | G = Green  |                        |
|       |            |               |                       | O = Other  |                        |

Ordering Example: EGX-1-10-BA-R-PM