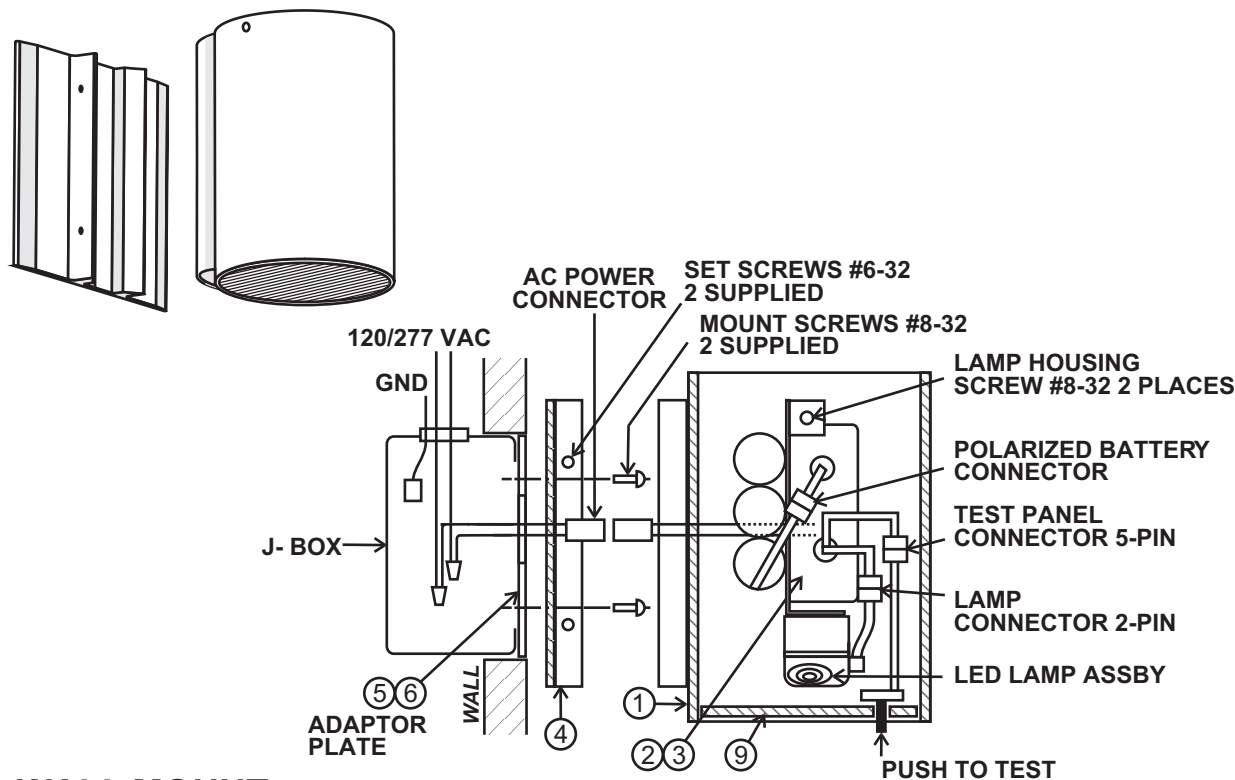


INSTALLATION INSTRUCTIONS AND OWNER'S MANUAL



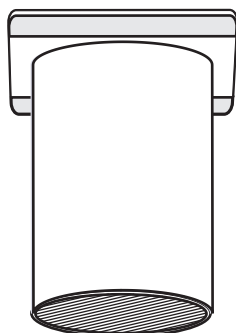
WALL MOUNT

1. Install j-box with AC line wiring. Disconnect 2-wire AC pigtail supplied on fixture, connect to AC inputs with standard wire nuts.
2. Route AC connector pigtail plug through 3 1/2" j-box adaptor plate supplied, and secure plate to j-box with two #8-32 screws. (Note if 4 x 4" box is used, 4" adaptor plate is required).
3. Secure Mount Plate to adaptor plate and route AC plug through center hole.
Fixture is supplied with housing attached to mount plate and battery is disconnected. To separate, loosen two #6-32 set screws to release cam lock, and detach mount plate. To connect the battery, remove the two #8-32 (flat head) housing screws, slide the battery assembly out of the housing to connect the 2-pin battery plug, and reassemble. (Lamps will turn ON until AC power is supplied.)
4. Connect plug on AC pigtail to matching plug on fixture, and push connector through access hole into j-box. (NOTE: If AC line power is OFF, lamps will turn ON in emergency mode).
5. Locate the fixture assembly on the mount plate and tighten #6-32 set screws to lock fixture in place.
6. Turn on AC power (lights will extinguish if previously operating on battery), and check the LED charge indicator shows GREEN. Allow approximately 12 hours to charge battery, then operate momentary Push to Test switch to check emergency lighting.

IMPORTANT SAFEGUARDS READ AND FOLLOW ALL SAFETY INSTRUCTIONS

- | | |
|---|---|
| 1. Disconnect AC power before servicing. | 7. Do not let power cords touch hot surfaces. |
| 2. Refer to wiring diagram for proper connections. | 8. Mount and secure the fixture at a location and height to avoid ready access and tampering by unauthorized persons. |
| 3. All servicing should be performed by qualified personnel. | 9. The use of accessory equipment is not recommended by the manufacturer and may cause an unsafe condition. |
| 4. Consult your local building code for approved wiring and installation. | |
| 5. Do not use outdoors. | |
| 6. Do not use this equipment for other than intended use. | |

SAVE THESE INSTRUCTIONS



**TOP MOUNT TO CANOPY OR
DIRECT TO OUTLET BOX**

Fixture is supplied with housing attached to mount plate and battery is disconnected. To separate, loosen two #8-32 flat head screws at top of housing, and slide power supply assembly out of housing. Disconnect the test panel connector plug to detach housing. Connect the 2-pin battery plug before reassembly.

1. Follow steps 1-4 for WALL MOUNT.

NOTE: For mount direct to a j-box, the Mount (Canopy) Plate is not supplied, and the j-box adaptor plate is fitted with a bracket to attach to housing directly.

2. Orient the assembly so the test panel wiring is on the same side as the test panel located on one side of the lens, and connect the polarized 5-pin test panel plug to its matching plug. Slide the housing over the power supply assembly, and route the test panel wiring inside the housing.

3. Line up and secure the two #8-32 flat-head lamp housing screws.

NOTE: LAMP ASSEMBLY SHOULD BE CORRECTLY ORIENTED WITH RESPECT TO PATH OF EGRESS. SEE FIG. 1. ALIGNMENT MARKS ON LENS SHOULD BE IN LINE WITH PATH.

4. Follow step 6 for WALL MOUNT.

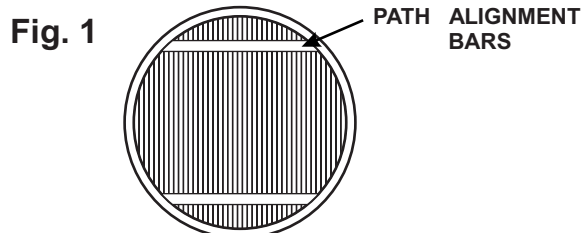
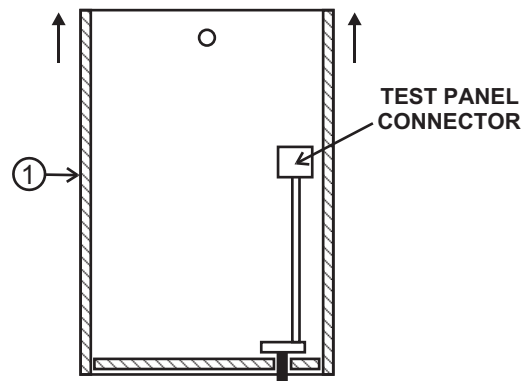
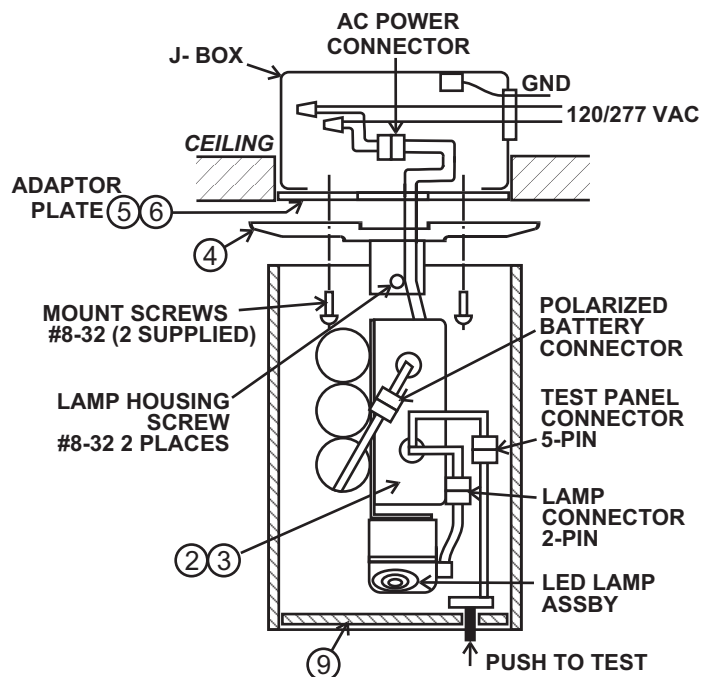


Fig. 1

CONTINUOUS SEC LIGHTING
When set at the factory, no SEC control wiring is provided and fixture will operate in continuous SEC mode when AC power is applied. To set continuous SEC mode when control wiring is supplied:
Standard Models: Connect ORANGE-GREEN control wires together.
DG Models: Connect BLUE control wire to the normal AC input (BLACK) and connect the BROWN control wire AC neutral (WHITE).

SECURITY LIGHTING SWITCH CONTROL OPTION
Standard Models: To control security lighting mode connect a dry switch contact (no voltage input required) across the orange and green wires supplied. When the wires are connected security lighting mode will be activated. To turn OFF disconnect the dry contact.
DG Models: To control security lighting mode, connect a 120 VAC/ 277 VAC supply with switch or timer across the BLUE and BROWN wires supplied. Power ON will activate security lighting mode, power OFF to deactivate.