



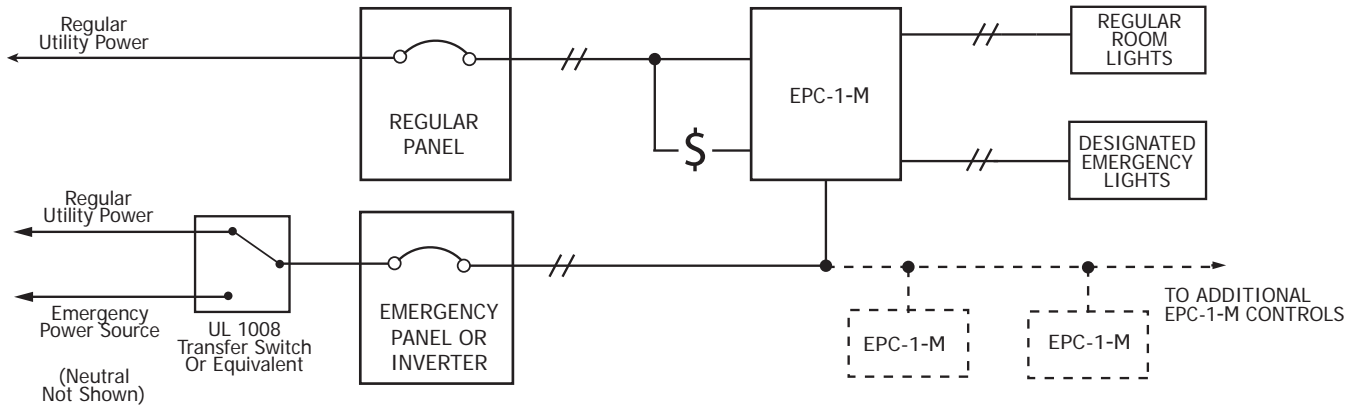
EPC-1-M



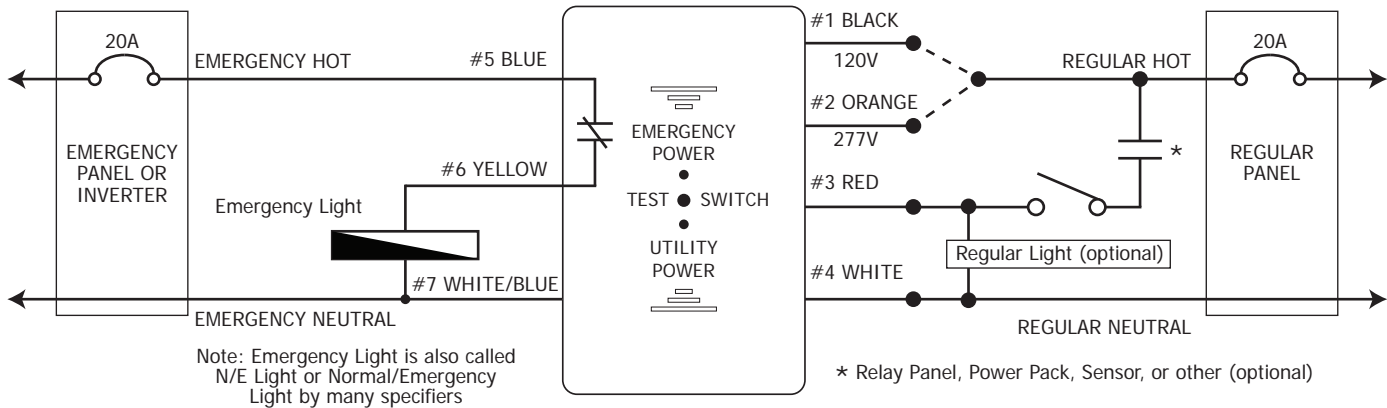
UL924 Emergency Transfer Switch
Switched Loads up to 20A

PROJECT:
FIXTURE TYPE:
LOCATION:
CONTACT/PHONE:

SINGLE LINE DRAWING



WIRING DIAGRAM



SPECIFICATIONS

ELECTRICAL	MODEL NO.	EPC-1-M
	SENSING INPUT	120V / 277V
	LOAD RATING	120V - 277V (20A)
	BALLAST LOAD RATING	20A (120-277V)
	INCANDESCENT LOAD	1800W (120V) / 1500W (277V)
	WARRANTY	5 Year Replacement Warranty

MECHANICAL	MOUNTING	4-11/16" Junction Box w/ single gang ring
	RATING	UL94V-0 + UL2043 Plenum Rating
	SHIPPING WEIGHT / COLOR	8 oz. / White
	TEMPERATURE	32°F - 140°F (0°C - 60°C)
	FLUSH MOUNTED SIZE	4-3/4" x 2-3/4" x 1/4"
	BODY SIZE	2-7/8" x 1-3/4" x 1-3/4"