



EPC-1-M-D



Emergency Power Control For
4-Wire Dimmable Loads up to 20A

PROJECT:
FIXTURE TYPE:
LOCATION:
CONTACT/PHONE:

Product Application

During normal operation, the same dimmer, occupancy sensor, dimming panel, or lighting control can switch and dim regular and emergency fixtures on and off simultaneously. The EPC-1-M-D bypasses the regular lighting controls, turning the emergency lights ON at full brightness, regardless of dimmer position.

The EPC-1-M-D is designed to be installed in remote or inaccessible locations, because the unit does not rely on access to its manual test switch.

Features include:

- Fire Alarm, Remote Test & 0-10V Dimming Option
- Utility & Emergency Power Indicator LED's
- Slim, attractive flush mount profile allows easy access to manual test switch and LED's.

Ordering information:

Features

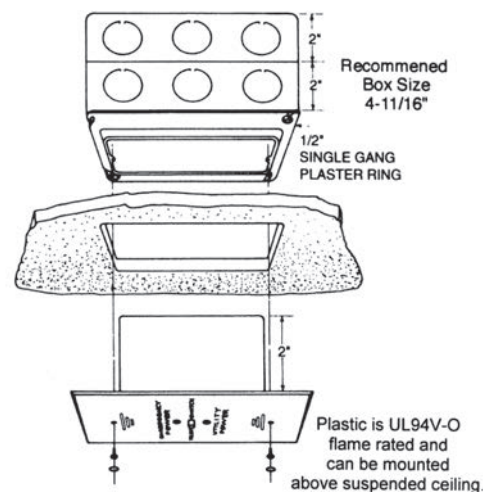
- Isolated 0-10V relay contact ensures full bright-ness during utility power interruption, regardless of dimmer model.
- When the room switch is turned off, the **EPC-1-M-D** will run a 2.5 self-test routine, verifying that the emergency power source was available and that the **EPC-1-M-D**, ballast, and lamp(s) are all function-ing correctly. This feature eliminates the need for time-consuming and costly manual monthly testing and is approved for this purpose. This also allows the unit to be installed in remote or inaccessible locations, because the unit does not rely on access to its manual test switch.
- Fire Alarm, Remote Test & 0-10V Dimming Option
- Utility & Emergency Power Indicator LED's
- Slim, attractive flush mount profile allows easy access to manual test switch and LED's.

Ordering

EPC-1-M-D



Mounting



0-10 Dimmer
Compatible



LED COMPATIBLE



WARRANTY



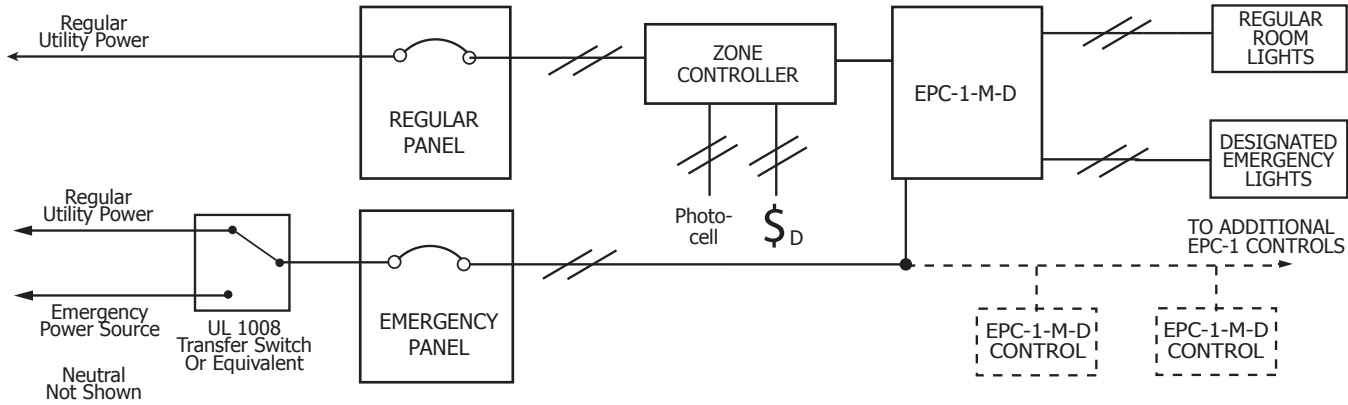
EPC-1-M-D



Emergency Power Control For
4-Wire Dimmable Loads up to 20A

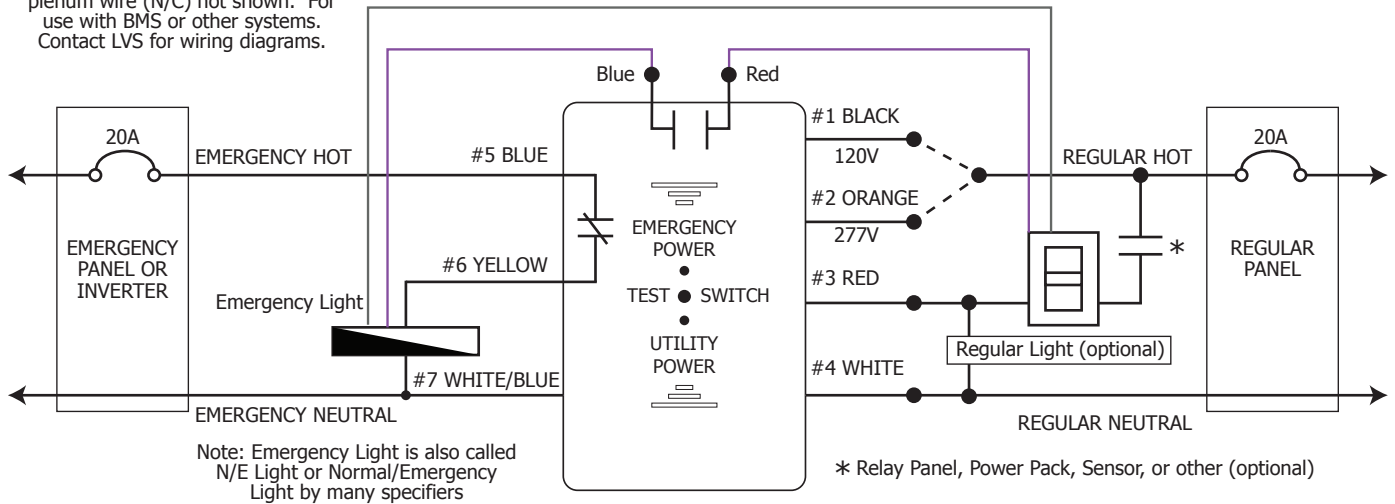
PROJECT:
FIXTURE TYPE:
LOCATION:
CONTACT/PHONE:

SINGLE LINE DRAWING



WIRING DIAGRAM

Note: Blue & Red low voltage wires are plenum rated. Additional Black plenum wire (N/C) not shown. For use with BMS or other systems. Contact LVS for wiring diagrams.



SPECIFICATIONS

ELECTRICAL	MODEL NO.	EPC-1-M-D
	SENSING INPUT	120V / 277V
	LOAD RATING	120V - 277V (20A)
	BALLAST LOAD RATING	20A (120-277V)
	INCANDESCENT LOAD	1800W (120V) / 1500W (277V)
	WARRANTY	5 Year Replacement Warranty

MECHANICAL	MOUNTING	4-11/16" Junction Box w/ single gang plaster
	RATING	UL94-5VA + UL2043 Plenum Rating
	SHIPPING WEIGHT / COLOR	8 oz. / White
	TEMPERATURE	32°F - 140°F (0°C - 60°C)
	FLUSH MOUNTED SIZE	4-3/4" x 2-3/4" x 1/4"
	BODY SIZE	2-7/8" x 1-3/4" x 1-3/4"