

INSTALLATION INSTRUCTIONS FOR SLIM LED WALL PACK



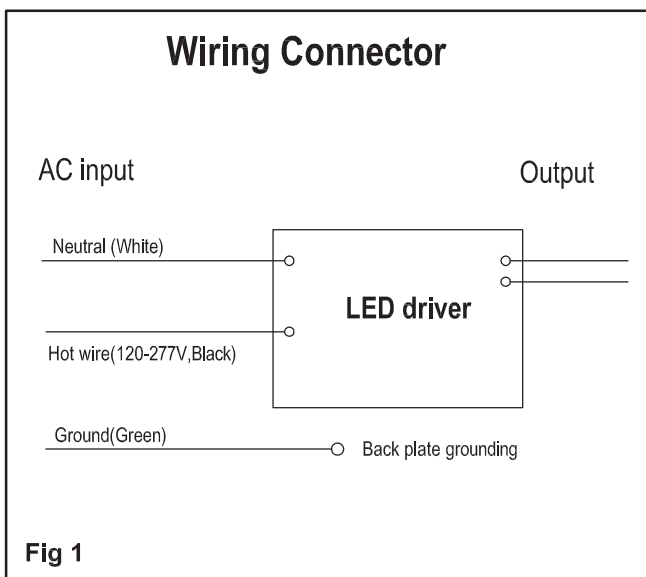
IMPORTANT SAFEGUARDS

READ AND FOLLOW ALL SAFETY INSTRUCTIONS

When using electrical, basic safety precautions should always be followed including the following.

1. Disconnect power at fuse or circuit breaker before installing or servicing.
2. Do not mount in hazardous locations, or near gas or electric heaters.
3. Do not let power cords touch hot surface.
4. Equipment should be mounted in locations and at heights where it will not be subjected to tampering by unauthorized personnel.
5. The use of accessory equipment not recommend by the manufacturer may cause an unsafe condition.
6. Do not use this equipment for other than intended use.
7. All servicing should be performed by a qualified personnel only.

SAVE THESE INSTRUCTIONS



Luminaire ON / OFF Control Facility

There are 2 kinds of ON/OFF control facility for the luminaire at normal supply :

- 1, Standard (default) facility, luminaire on/off control by photosensor, if ambient illumination $< 10\text{Lx}$ luminaire turn on automatically, if illumination $> 30\text{Lx}$, luminaire turn off. Photosensor facility can change to Wall switch control unit, connect external wall switch on the hot wire (see Fig 5).
- 2, Photosensor & PIR facility, luminaire control by photosensor & PIR, if ambient illumination $< 10\text{Lx}$, PIR sensor detect human move, luminaire turn on, stay on 2 minutes, PIR sensor do not detect human move, luminaire keep off. If ambient illumination $> 30\text{Lx}$, luminaire keep off.

When normal supply fail, luminaire will convert to emergency mode.

Mounting Instructions

Open fixture



Fig 2

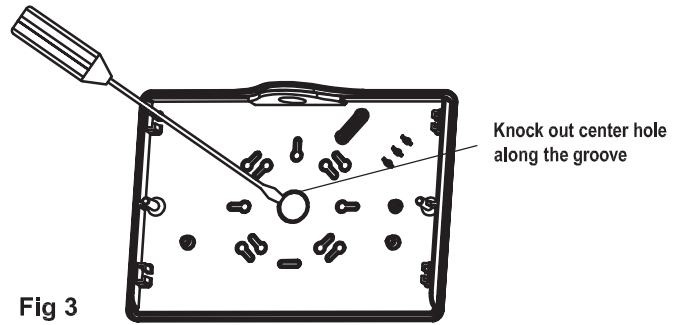


Fig 3

Black 120-277V/AC
White NEUTRAL
Green Ground

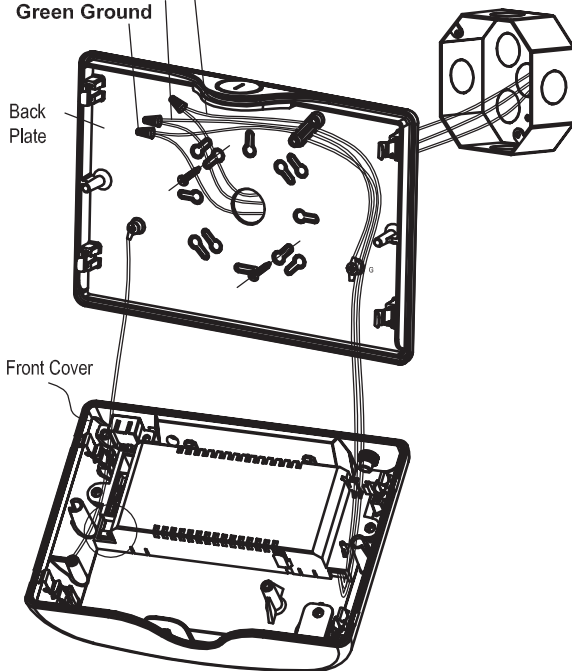


Fig 4

Wall Mount-Back Power Feed (see Fig 4)

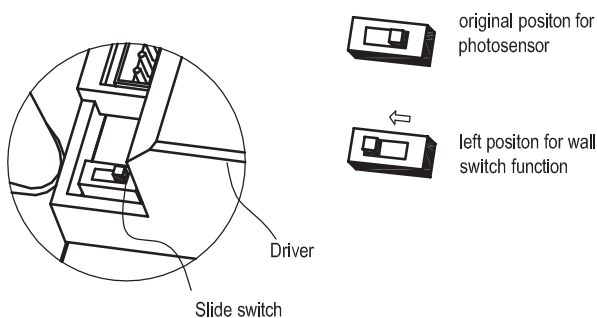
1. Use flat blade screwdriver insert the two slots and make rotation then remove front cover from back plate (see Fig 2).
2. Remove appropriate knockout on back plate for mounting, remove center knockout hole on back plate(See Fig 3).
3. Feed building wires through the center hole,securely backplate to J-box by screws provided.
4. Connect the unit wires to building power supply wires using the wire nuts provided. Connect the white wire to neutral, connect the black wire to hot lead(120-277V), feed the wires and wire nuts back into J-box through back plate(see Fig 1).
5. Snap the front cover on the back plate.

Conduit Mounting

1. Remove NPT 1/2" pipe plug from top of unit.
2. Open unit, secure unit on conduit and feed wire into unit.
- 3, Reference 4-5 step for wall mounting instruction.

Photosensor convert to Wall Switch

- 1, Put slide switch knob to left position, photosensor convert to wall switch facility.



- 2, Connect external wall switch on the hot wire, luminaire control by wall switch.

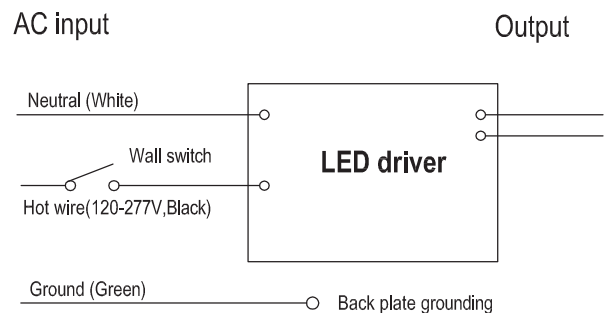


Fig 5