

6 & 12 VOLT EMERGENCY OPERATION LIGHT

The NY-LX Series New York Emergency Lights are designed for efficiency and ease of installation. Their rugged design meets New York City standards and provides dependable operation. These units are completely self contained and fully automatic.

BENEFITS & FEATURES

- Rugged, heavy duty design
- Durable 20 gauge steel housing
- High Impact Thermoplastic lighting heads
- Dual voltage 120/277VAC
- Solid state charging and switching
- Brownout protection
- Battery Low Voltage disconnect
- Overload and short circuit protection
- AC power indicator and test switch
- Maintenance-free 6V or 12V sealed lead calcium battery
- Supplied with 9W incandescent wedge base lamps

CODE COMPLIANCE

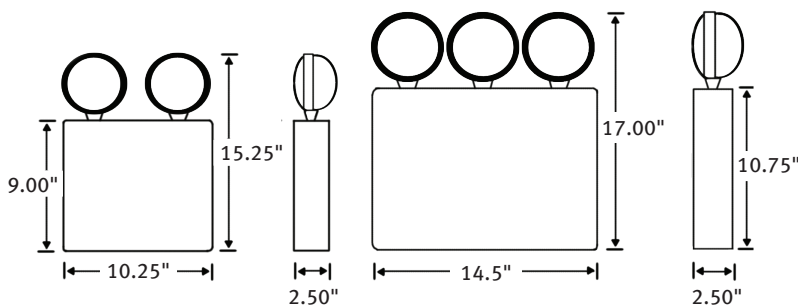
- UL Listed
- NFPA 101 Life Safety Code compliant
- NEC and OSHA compliant
- New York City Approved
- Calendar No. 46932



NY-LX-18-2



NY-LX-27-3 & NY-LX-50-3



NY-LX-18-2

NY-LX-27-3 & NY-LX-50-3

ORDERING INFORMATION

MODEL	VOLTAGE	UNIT WATTS	HEAD #	HOUSING COLOR
NY-LX	6 = 6 Volt	18 = 18 watts (6v only)	2 = Two Heads	Blank = White
	12 = 12 Volt	27 = 27 watts (6v only)	3 = Three Heads	BL = Black
		50 = 50 watts (12v only)		

Ordering Example: NY-LX-6-27-3