



New York Precision Series

Surface Mount NY Approved Edge-Lit Exit Sign



PROJECT: _____
 FIXTURE TYPE: _____
 LOCATION: _____
 CONTACT/PHONE: _____

PRODUCT DESCRIPTION

The New York Approved NY Precision Series is the most uncomplicated edge-lit sign to specify. This sign offers precise engineering for architectural excellence.

ILLUMINATION

- Ultra bright, energy efficient, long life Red LEDs.
- UV-stabilized ultra-clear acrylic edgelit panel provides consistent, uniform illumination.
- Double face utilizes factory installed silver or white mylar background panel.
- New York City compliant 8" EXIT letters.

ELECTRICAL

- Dual 120/277 voltage standard.
- Charge rate/power "ON" LED indicator light and push-to-test switch for mandated code compliance testing.
- 4.8V long life, maintenance-free, rechargeable NiCd battery (EM models only).
- Internal solid-state transfer switch automatically connects the internal battery to LED board for minimum 90-minute emergency illumination.
- Fully automatic solid-state, two rate charger initiates battery charging to recharge a discharged battery in 24 hours.

MOUNTING

- Aluminum mounting canopy included for top, end or back mount. Available in optional black or white powder-coated finishes.

HOUSING

- Premium-grade, extruded aluminum housing (also available in black or white powder-coated finishes).
- Self-adhesive Chevron appliques and guide template provided for directional indication.

WARRANTY/LISTING

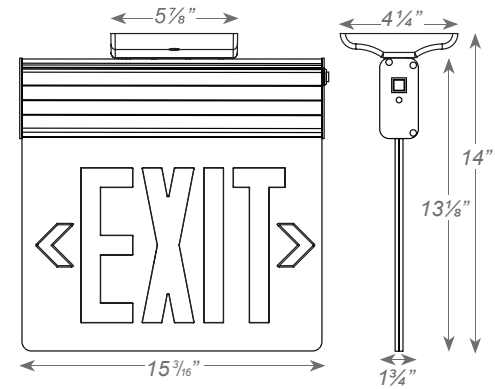
- Five year warranty on all electronics and housing. Battery prorated for five years.
- Meets UL924, NFPA 101 Life Safety Code, NEC, OSHA, Local and State Codes.
- UL Listed for damp locations (0°C – 50°C).
- Certified to CEC under Title 20 Regulations.

OPTIONS

- SDT: Self-diagnostic feature performs monthly, biannual, and annual tests to ensure reliable operation and meets electrical and life safety codes.



DIMENSIONS



ORDERING INFORMATION

MODEL	# OF FACES	BATTERY	LETTER	PANEL	TRIM PLATE	MOUNTING	OPTIONS
NYELX	1 = Single	A = AC Only	R = Red	C = Clear ¹	A = Aluminum	U = Universal	SDT = Self-Diagnostics ²
	2 = Double	B = Battery Backup		M = Mirror	B = Black		
				W = White	W = White		

Note: ¹ With single face only. ² Available only with EM units. *RED ON CLEAR NOT AVAILABLE ON DOUBLE FACE

Ordering Example: NYELX-2-A-R-M-W-U