



New York NYX Series - NY-EPX Surface

Mount NY Approved Steel Combination Exit Sign/Emergency Light



PROJECT: _____
 FIXTURE TYPE: _____
 LOCATION: _____
 CONTACT/PHONE: _____

PRODUCT DESCRIPTION

NY-EPX Series New York Approved Steel LED Combination Exit Sign/Emergency Light offer long lamp life, energy efficiency and uniform illumination in a sleek yet rugged design. Possessing premium installation features such as knockout chevron directional indicators, the NY-EPX Series offers unsurpassed value in an aesthetically pleasing design. The NY-EPX Series is provided with three lighting heads, combining exit signage with the emergency lighting function for a convenient, comprehensive solution.

PRODUCT SPECIFICATIONS

CONSTRUCTION

Rugged, heavy duty 20-gauge die formed steel construction • Light heads made from high impact resistant thermoplastic • Universal mounting pattern knockouts in backplate for back mounting • 8” letters with 1” stroke width • Chevron directional indicators knockouts • Red letters • Durable powder coated white finish is standard.

ELECTRICAL

Dual voltage 120/277VAC • Charge rate/power "ON" LED indicator light and push-to-test switch for mandated code compliance testing • Internal solid-state transfer switch • Solid-state, two-rate charger initiates battery charging to recharge a discharged battery in 24 hours.

BATTERY

Sealed, maintenance-free lead calcium • Standard battery will operate sign and three 12W heads for a minimum of 90 minutes in the event of a power outage. (0°C – 50°C)

LAMPS

Long life, energy saving LED lamps • LEDs are connected in a series/parallel configuration such that the unlikely failure of one LED will affect no more than one other LED • Red LED letters.

HEADS

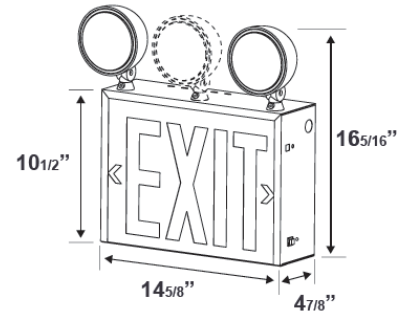
Heads Includes three 6V, 12W lighting heads • Two heads come mounted on the fixture, a third head is supplied ready to be mounted by the user when needed • Heads are fully adjustable in all directions for comprehensive lighting coverage.

CODE COMPLIANCE

UL924 • NFPA 101 Life Safety Code compliant • NEC and OSHA compliant • UL Listed for Damp Locations • New York City Approved • Calendar No. 46932

WARRANTY

5-year warranty. Product specifications subject to change without notice.



INSTALLATION

MOUNTING

May be back mounted • All signs include canopy and mounting hardware for easy installation • Backplate includes universal mounting pattern knockouts for simple back mounting.



ORDERING INFORMATION

MODEL	# OF FACES	OPERATION	HOUSING COLOR	OPTIONS
NYEPX	1 = Single	B = Battery Back-Up	WW = White BL = Black	NH = No heads

Ordering Example: NYEPX-1-B-WW