

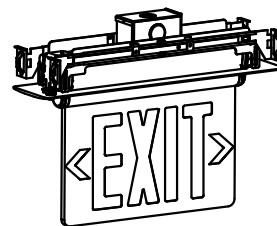
INSTALLATION & OPERATION INSTRUCTIONS

UNIVERSAL RECESSED / SURFACE MOUNT LED EXIT SIGN

EMERGENCY BATTERY BACKUP

Package Contents

Part	Description	Quantity
1	LED Edge-Lit EXIT Sign	1
2	Hanger Bracket and trim plate	1
3	Hardware Bag	1



IMPORTANT SAFEGUARDS

READ AND FOLLOW ALL SAFETY INSTRUCTIONS.

When using electrical equipment, basic safety precautions should always be followed including the following

1. Before starting the installation, disconnect the power by turning off the circuit breaker or by removing the appropriate fuse at the fuse box. Using the light switch to turning the power off is not sufficient to prevent electrical shock.
2. Do not use outdoors.
3. Do not mount near gas or electric heaters.
4. Use caution when servicing batteries. Battery acid can cause burns to skin and eyes. If acid is spilled on skin or eyes, flush acid with fresh water and contact a physician immediately.
5. Equipment should be mounted in locations and at heights where it will not be subjected to tampering by unauthorized personnel.
6. The use of accessory equipment not recommended by the manufacturer may cause an unsafe condition.
7. Do not use this equipment for other than its intended use.
8. All servicings should be performed by a qualified personnel only.
9. Allow battery to charge for 24 hours before first use.

SAVE THESE INSTRUCTIONS

MAINTENANCE

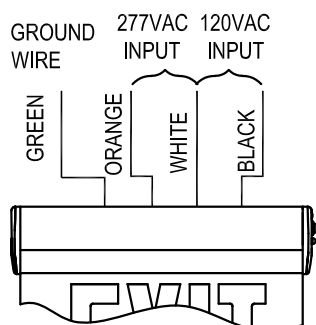
Battery have to recharge if product keep in stock over 9 months, detail manual refer "BATTERY STOCK AND RECHARGE GUIDELINE". We recommend that the equipment be tested regularly in accordance with local codes. Replace the batteries as needed if discharge time do not achieve 90 minutes,

OPERATION

Press the test button, unit will be illuminated by battery backup and the LED indicator will be turned off. Release the test switch, LED indicator will be turned on.

ELECTRICAL CONNECTIONS

- Make the proper supply wire connections.
- If using 120VAC, connect the black and white wires to the building utility.
- If using 277VAC, connect the orange and white wires to the building utility.
- Cap off unused wires. In all cases, use standard wire nuts in connection to wires.



DETERMINE DIRECTION

- If need indicator, remain indicator and remove instruction film.
- If no need indicator, remove indicator and instruction film together.

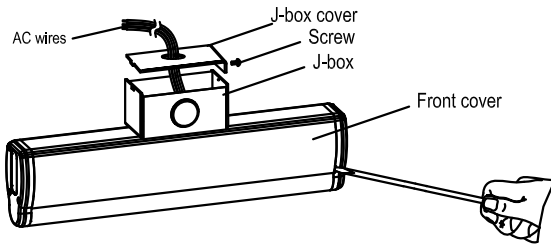


▲ NOTICE-MUST WEAR GLOVES FOR ALL INSTALLATION PROCESSES

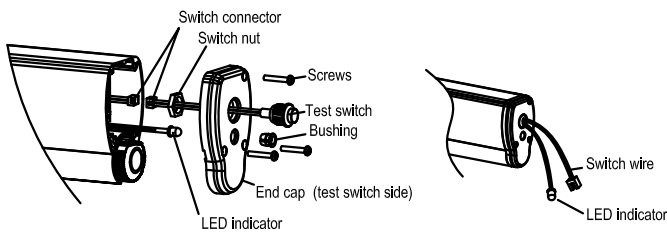
NOTICE-First turn off electricity.

Recessed Ceiling Mounting

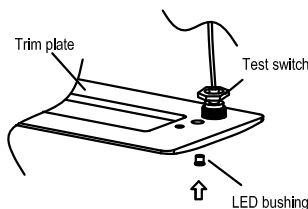
1. Open front cover by blade screw driver, attach battery connector on PCBA, disassemble J-box cover, punch out wire hole. Secure J-box on the top of fixture by screws, feed the AC wires out of J-box cover. Restore J-box cover, restore front cover.



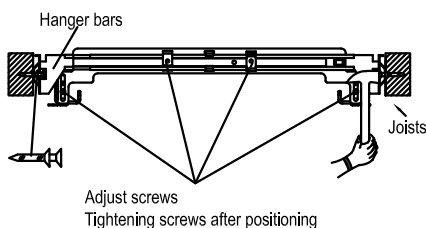
2. Unscrew and remove test switch side end cap, disconnect test switch connector, remove test switch and LED indicator and bushing from end cap, feed test switch and LED indicator wire out of end cap, restore end cap on housing by screws.



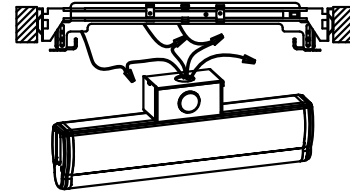
3. Assemble test switch and LED bushing on the trim plate.



4. Position recessed kits and bar hangers between joists. Make sure bar hangers to be hung in the correct position. Position recessed kits temporarily by hammering "nail-in" tabs on bar hangers, then secure permanently with nails. Bar hangers should be level with bottom of joists .
5. Adjust height of recessed kits vertically using adjusting slots and then tightening all screws on adjusting slots and bar hanger bracket to secure adjusting bracket and bar hangers .



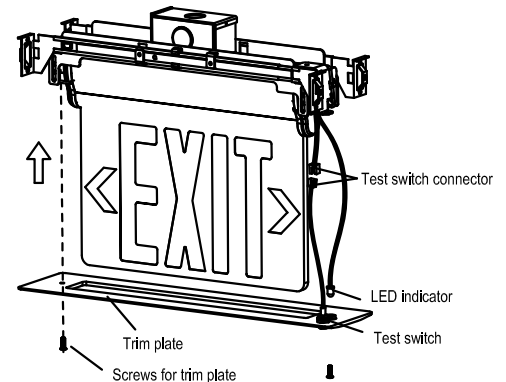
6. Make AC supply wiring, white wire for neutral, black wire for 120VAC input, orange wire for 277VAC input, green wire for grounding. after wiring, get wire nuts inside of J-box.



7. Peel off protection film from EXIT panel, Insert EXIT panel into main body assembly gently. If EXIT panel is for single face, make sure EXIT letter direction is right.



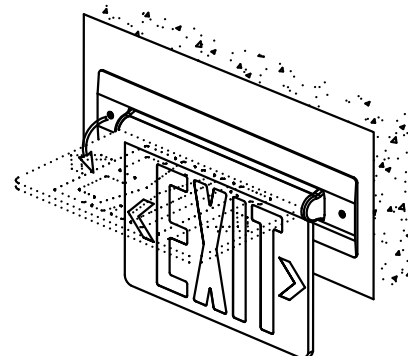
8. Insert fixture into hanger bracket and snap by spring, connect test switch, assemble LED indicator on bushing at trim plate. fix trim plate on the metal box by 2 screws.



9. Determine direction for chevron indicator. (See DETERMINE DIRECTION)

Recessed Wall Mounting

1. Reference 1 - 9 step in recessed ceiling mounting above for recessed wall mounting.
2. Acrylic panel can rotate 90° suit for recessed wall mounting.

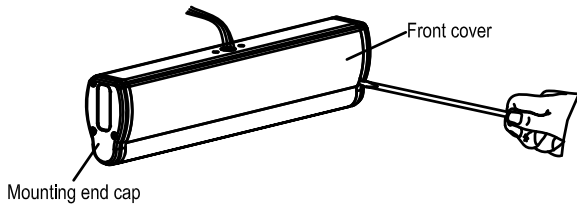


▲ NOTICE-MUST WEAR GLOVES FOR ALL INSTALLATION PROCESSES

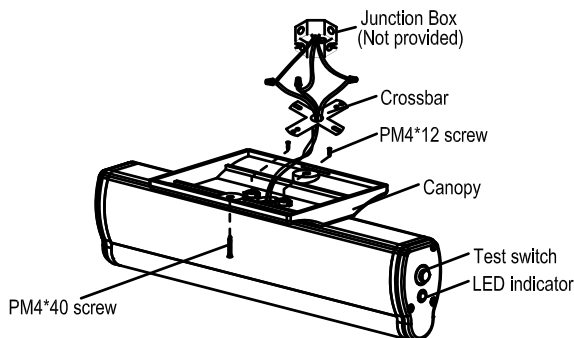
NOTICE-First turn off electricity.

Surface Ceiling & Wall Mounting

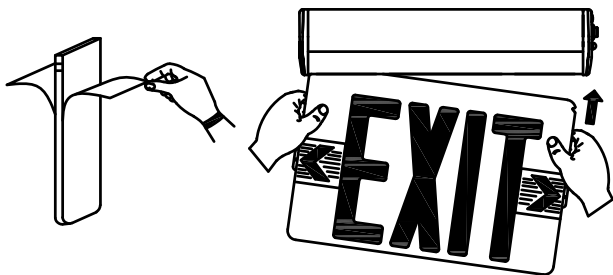
1. Attach crossbar to junction box.(TM8#-32*-1)
2. Use screwdriver open front cover to connect battery connector.



3. Feed AC supply wires through canopy center hole.
4. Assemble canopy onto main body assembly with (2) PM4*12 screws(supplied) and make proper wire connections.
(See ELECTRICAL CONNECTIONS).
5. Use (2) PM4-40 screws (supplied) tighten canopy to crossbar.

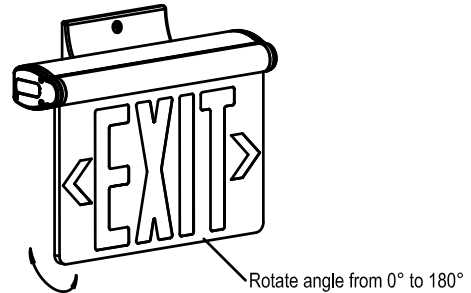


6. Peer off protection film from both side of EXIT panel, insert EXIT panel into main body assembly gently.
If EXIT panel is for single face, make sure EXIT letter direction is correct.



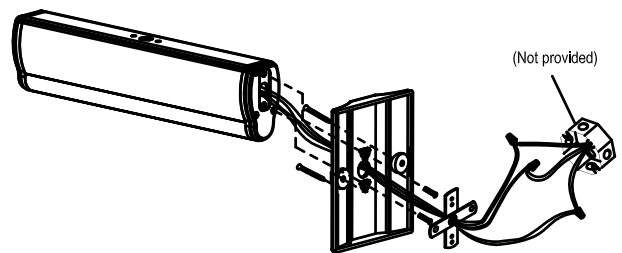
7. Determine direction for chevron placement.
(See DETERMINE DIRECTION)

8. The unit can be installed on any surface, you may rotate the EXIT panel in any angle from 0° to 180°, Ceiling mounting rotate 90° become Wall mounting.



Surface Side Mounting

1. Attach crossbar to junction box.
2. Use screwdriver open front cover to connect battery connector.
3. Remove the hole plug from mounting end cap.
4. Pull out all AC supply wires and feed wires thru the center holes of mounting end cap and then canopy.
5. Reference 4 - 8 step in surface ceiling & wall mounting above for surface end mounting.



TROUBLE SHOOTING GUIDE

If LED heads or LED indicator does not illuminate, check the following:

1. Check AC supply - verify that unit has 24 hours AC supply.
2. Battery connection.
3. Discharge battery and charge battery for 24 hours and then retest.
4. If above trouble shooting hints do not solve the problem, contact factory for assistance.