



# PCEL Series

THERMOPLASTIC EDGE-LIT LED EXIT



PROJECT: \_\_\_\_\_  
 FIXTURE TYPE: \_\_\_\_\_  
 LOCATION: \_\_\_\_\_  
 CONTACT/PHONE: \_\_\_\_\_

## PRODUCT DESCRIPTION

The PCEL Series surface mounted edge-lit exit features a universal mounting capability and provides an attractive yet easy to install exit sign. The crystal clear lens panel provides excellent light distribution, exit visibility and quick snap-in installation. The PCEL incorporates long life, energy efficient LED lamps that reduce energy costs and eliminate routine lamp maintenance. The under five-minute installation time makes it the fastest installed edge-lit exit on the market today.

## PRODUCT SPECIFICATIONS

### CONSTRUCTION

Crystal clear acrylic face panel • Mirrored or white divider provided on double face signs to simulate clear aesthetics • Injection molded, engineering grade 5VA thermoplastic housing in White or Black • Includes EZ-snap mounting canopy for top, back or end mounting • 6" letters with 3/4" stroke width • Full-size, chevron directional indicators • Field-applied chevron directional indicators with pre-applied installation template • Red or Green letters • Available in black, or white finish.

### ELECTRICAL

F wri'xqnci g'342499XCE'ÉTcvgf 'hqt'vug'lp'f co r 'hqc'v'kp'u'ÉU'rkf 'uc'vg'ej cti kpi " c'pf 'ly kej kpi 'ÉD'tqy p'qwr' t'q'ge'v'kp'ÉD'c'wgt { 'h'qy 'x'qnci g'f 'k'ue'p'p'ge'v'ÉQ'x'gt'm'cf 'c'pf " u'j q't'v'ek'ew's'r' t'q'ge'v'kp'ÉCE'r'qy g't'lp'f'k'ec'v'q't'c'pf 'v'gu'v'y kej 0

### LAMPS

N'qpi 'h'kg.'g'p'gti { 'uc'x'kpi 'NGF' 'h'co r u'ÉT'g'f' 'qt'G't'g'p'NGF 'h'g'w'tu'ÉU'ki pu'e'q'pu'wo g'h'guu' 'j cp 3'y cwu0

### BATTERY

Sealed, 4.8V maintenance-free nickel cadmium • Battery will operate sign for a minimum of 90 minutes in the event of a power outage. • Temperature rating is 0-50 degrees C.

CODE COMPLIANCE WN; 46'ÉF'co r 'h'qc'v'kp' 'c'vg'f 'ÉP'HRC'323'N'kg'U'ch'ev' 'E'q'f'g' 'eqo r 'h'cp'v'ÉP'GE'c'pf 'QU' C'eqo r 'h'cp'v'0

### WARRANTY

5-year warranty. Product specifications subject to change without notice.

## INSTALLATION

### MOUNTING

May be top, back or end mounted • All signs include EZ-snap mounting canopy and mounting hardware for easy top, back or end mount installation.



## ORDERING INFORMATION

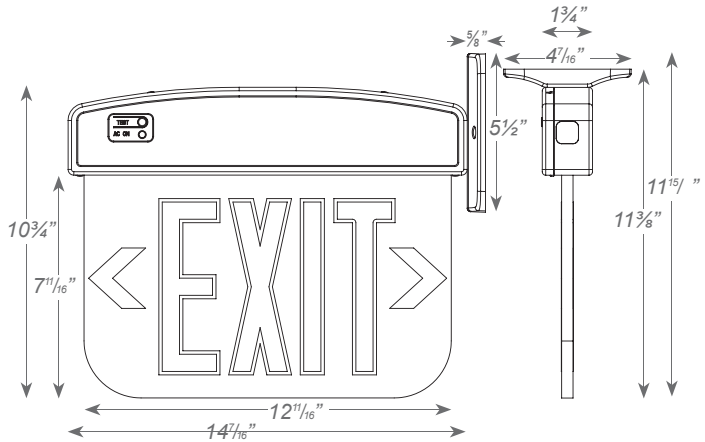
model	faces	operation	letter/panel	housing	mounting	options
PCEL	1 = Single	A = AC Only	RC = Red on Clear	WH = White	U <sup>1</sup> = Universal	SD <sup>2</sup> = Self-Diagnostics
	2 = Double	B = Battery Backup	GC = Green on Clear	BL = Black	Surface Mount	DLC <sup>3</sup> = Dual Circuit Input
			RM = Red on Mirror			SL = Special Lettering
			GM = Green on Mirror			USA = Assembled in USA
Notes			RW = Red on White			SV = Special Voltage
			GW = Green on White			

<sup>1</sup> Includes canopy for ceiling, wall & end mounting

<sup>2</sup> Not available on AC units

<sup>3</sup> AC only, use with inverter or generator applications only

<sup>4</sup> Order as separate line item. Field installation



## ACCESSORIES<sup>4</sup>

ACCESSORY	DESCRIPTION
PKPCEL1	1ft Pendant Mount Kit
PKPCEL2	2ft Pendant Mount Kit

Ordering Example: PCEL-1-B-RC-WH-U-SD