



PCEL Series

THERMOPLASTIC EDGE-LIT LED EXIT



PROJECT: _____
 FIXTURE TYPE: _____
 LOCATION: _____
 CONTACT/PHONE: _____

PRODUCT DESCRIPTION

The PCEL Series surface mounted edge-lit exit features a universal mounting capability and provides an attractive yet easy to install exit sign. The crystal clear lens panel provides excellent light distribution, exit visibility and quick snap-in installation. The PCEL incorporates long life, energy efficient LED lamps that reduce energy costs and eliminate routine lamp maintenance. The under five-minute installation time makes it the fastest installed edge-lit exit on the market today.

PRODUCT SPECIFICATIONS

CONSTRUCTION

Crystal clear acrylic face panel • Mirrored or white divider provided on double face signs to simulate clear aesthetics • Injection molded, engineering grade 5VA thermoplastic housing in White or Black • Includes EZ-snap mounting canopy for top, back or end mounting • 6" letters with 3/4" stroke width • Full-size, chevron directional indicators • Field-applied chevron directional indicators with pre-applied installation template • Red or Green letters • Available in black, or white finish.

ELECTRICAL

F wri'xqnci g'342499XCE'ÉTcvgf 'hqt'vug'lp'f'co r 'hqc'v'kp'u'ÉU'rkf 'uc'vg'ej'cti'kpi " c'pf 'ly'kej'kpi 'ÉD'tqy'pqw'r'tq'ge'v'kp'ÉD'c'wgt'{'h'qy 'x'qnci'g'f'k'ue'q'p'p'ge'v'É'Q'x'gt'm'q'c'f' 'c'p'f' 'uj'q't'v'ek'ew's'r'tq'ge'v'kp'É'CE'r'qy'g't'lp'f'k'ec'v'q't'c'p'f' 'v'gu'v'uy'kej'0

LAMPS

N'q'pi 'h'kg'.'g'p'gti'{' 'uc'x'k'pi 'NGF' 'h'co r'u'É'T'g'f' 'q't'G't'g'p'NGF' h'g'w'g'tu'É'U'ki' pu'eq'pu'wo'g' 'h'guu' 'j'cp'3'y'cw'u'0

BATTERY

Sealed, 4.8V maintenance-free nickel cadmium • Battery will operate sign for a minimum of 90 minutes in the event of a power outage. • Temperature rating is 0-50 degrees C.

CODE COMPLIANCE WN; 46'É'F'co r 'h'qc'v'kp' 'c'v'g'f' 'É'P' HRC'323'N'kg'U'ch'g'v' 'E'q'f'g' 'e'q'o r'k'c'p'v'É'P'GE'c'p'f' 'QU' C' 'e'q'o r'k'c'p'v'0

WARRANTY

5-year warranty. Product specifications subject to change without notice.

INSTALLATION

MOUNTING

May be top, back or end mounted • All signs include EZ-snap mounting canopy and mounting hardware for easy top, back or end mount installation.



ORDERING INFORMATION

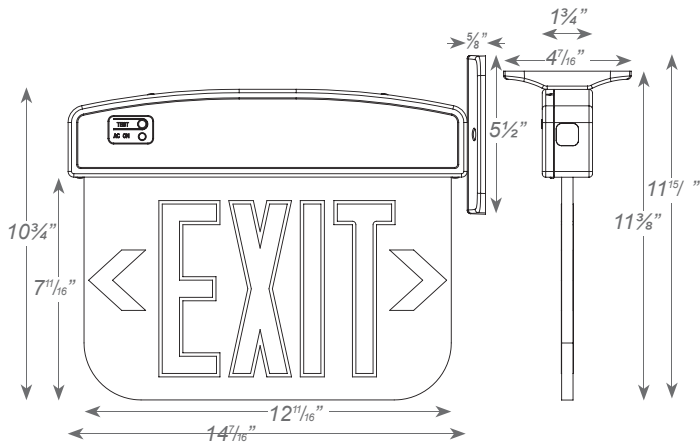
model	faces	operation	letter/panel	housing	mounting	options
PCEL	1 = Single 2 = Double	A = AC Only B = Battery Backup	RC = Red on Clear GC = Green on Clear RM = Red on Mirror GM = Green on Mirror RW = Red on White GW = Green on White	WH = White BL = Black	U ¹ = Universal Surface Mount	SD ² = Self-Diagnostics DLC ³ = Dual Circuit Input SL = Special Lettering USA = Assembled in USA SV = Special Voltage

¹ Includes canopy for ceiling, wall & end mounting

² Not available on AC units

³ AC only, use with inverter or generator applications only

⁴ Order as separate line item. Field installation



ACCESSORIES⁴

ACCESSORY	DESCRIPTION
PKPCEL1	1ft Pendant Mount Kit
PKPCEL2	2ft Pendant Mount Kit

Ordering Example: PCEL-1-B-RC-WH-U-SD