



CATALOG NUMBER:

NOTES:

FIXTURE TYPE:

PROJECT:

The Patriot UNIT has been designed to perform in applications where the environment would punish any standard unit. The standard lead acid battery or optional nickel cadmium battery provides a minimum emergency duration of 90 minutes. The solid state, high efficiency, dual rate charger provides precise float voltage control and low voltage disconnect protection.



Product Features

The Patriot is an IP66 rated industrial emergency unit that is offered in 6V and 12V configurations.

Installation: The Patriot UNIT can be surface wall or ceiling mounted.

The Patriot UNIT is approved for use in wet, IP66, NEMA 4x environments. The vandal resistant design, sanitation listing and optional cold weather internal heater allow the Patriot UNIT to be installed in unique applications.

Applications: The Patriot UNIT is ideal for industrial locations, wet locations, corrosive locations, food prep, vandal and dust filled areas.

Housing: Fully gasketed die-cast aluminum construction with an impact resistant polycarbonate lens. Stainless steel mounting feet and hardware.

MR16 or optional MR16 LED lamps provide reliability and performance with up to 70 foot spacing on center.

Ordering Logic

Series	Operation	Pb-A (Capacity)	Ni-Cd ^[1] (Capacity)	Lamp Type	Options
PTR	6 (6V)	18 (6V)	22 (6V)	See lamp selection	*AT ^[2] (autotest) *FAI ^[4] (fire alarm interface- specify)
	12 (12V)	36 (6V, 12V)	42 (6V, 12V)	guide on next page	NC ^[3] (nickel-cadmium battery) HHC (handheld controller)
		60 (6V, 12V)	54 (6V)		*AM (ammeter) *IH ^[4] (internal heater- specify)
					*VM (voltmeter) *IRT (infrared testing)
					WG (wireguard) MT (magnetic test switch)

[1]NOTE: Must select NC from options when selecting Ni-Cd.
 [2]NOTE: includes an automatic time delay function to allow for HID lighting to "warm up". Specify 0, 5, 10 or 20 minutes.
 [3]NOTE: NC (select wattage/voltage from Ni-Cd column).
 [4]NOTE: Specify 120V or 277V.

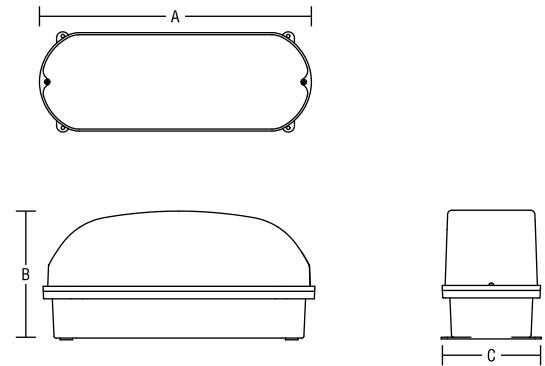
*Only available in units 42W and under.

Ordering Example: PTR-12-36-MR16-10W-AT

Specifications: External

The Patriot UNIT is constructed from .100" thick, heavy duty cast aluminum. Stainless steel tamper resistant screws are standard and ensure the integrity of the battery unit. The Patriot UNIT comes standard in an industrial gray color although custom color options are available upon request. The Patriot UNIT comes standard with an LED status indicator and test switch under the lens. The lens is constructed from a vandal resistant polycarbonate for maximum durability. Lamp and reflector assemblies are offered in a fully adjustable, high output MR16 halogen or LED configurations. Universal mounting pattern and key hole slots are cast into the backplate. Stainless steel mounting straps are supplied for surface mounting.

Dimensions



Series	A"	B"	C"
PTR	16.25"	7.5"	6"
	413mm	191mm	152mm

IP66 / NEMA 4x / vandal resistant / sanitation / cold





CATALOG NUMBER:

NOTES:

FIXTURE TYPE:

PROJECT:

■ Specifications: Electrical

BATTERY: The Patriot UNIT is designed with a maintenance free, sealed valve regulated lead acid battery that provides a minimum emergency duration of 90 minutes. Recharge time of the battery is less than twenty-four [24] hours. An optional Nickel-Cadmium battery is available.

CIRCUIT: The Patriot UNIT utilizes a high-efficiency two stage charger providing precise float voltage control with low voltage disconnect protection. All components used in the circuitry are temperature compensated. The charger also has brownout and short circuit protection. Charger status is easily determined via a dual diagnostic LED display which indicates AC/ON and High Charge. A magnetic test switch allows maintenance personnel to quickly determine the operational status of the unit and lamp load.

■ Specifications: Mechanical

The Patriot UNIT is constructed from a durable, fully gasketed die-cast aluminum housing and a 0.125" polycarbonate lens. Universal mounting pattern and key hole slots are cast into the mounting backplate. Stainless steel mounting straps are supplied for surface mounting. Lamp loads are connected to the emergency power supply with sturdy terminal connectors. These connectors allow for a large gauge of wire to be used, increasing the flexibility or installation. The Patriot UNIT is supplied standard in a durable gray powder coat, baked finish. Other colors are available, including color matching, please specify. CSA C22.2 No. 141 Performance Certified.

■ Autotest

The Mule autotest system automatically performs one 5 minute discharge test monthly and every 6 months it performs two 30 minute discharge tests, 24 hours apart. This tests both full battery capacity and recharge capability. The information is communicated simply and intuitively to maintenance personnel via a single multi-color LED. The Patriot UNIT autotest option includes an automatic time delay function to allow for HID lighting to "warm up". Specify 0, 5, 10 or 20 minutes.

■ Sanitation Listed (SL)

The Patriot UNIT is sanitation approved. The Intertek verified splash zone listing is equivalent to the NSF Standard 2, meeting the rigorous sanitation, electrical safety and performance standards of food service environments.

■ Lamp Selection

	6V	12V
MR16	10W	10,12,20,35,50W
LEDMR16	5W	5,7W

■ Model Rating Guide

Model	Voltage	Wattage			
		90min	120min	180min	240min
PTR-6-18	6	18	13	9	6
PTR-6-22	6	22	16	11	8
PTR-6-36	6	36	27	18	13
PTR-6-42	6	42	31	21	15
PTR-6-54	6	54	41	27	20
PTR-6-60 ^[1]	6	60	45	30	22
PTR-6-72	6	72	54	36	27
PTR-12-36	12	36	27	18	13
PTR-12-42	12	42	31	21	15
PTR-12-60 ^[1]	12	60	45	30	22

[1]NOTE: Not available with all options.

■ Warranty

The Patriot UNIT comes with a 3-year factory warranty. Deliberate damage, misuse, improper installation effectively cancel the warranty.