



CATALOG NUMBER:

NOTES:

FIXTURE TYPE:

PROJECT:

The Patriot HZ UNIT has been designed to perform in applications where the environment would punish any standard unit. The standard lead acid battery or optional nickel cadmium battery provides a minimum emergency duration of 90 minutes. The solid state, high efficiency, dual rate charger provides precise float voltage control and low voltage disconnect protection.



Product Features

The Patriot HZ is a hazardous rated industrial emergency unit that is offered in 6V and 12V configurations. Features a hazardous approved conduit fitting.

Installation: The Patriot HZ UNIT can be surface wall or ceiling mounted.

The Patriot HZ UNIT is approved for use in Class 1 Division 2, Groups A, B, C, D; Class 2 Divisions 1 & 2, Groups E, F, G: T coded T4a, T3B, T3a, T2d, T2a, or T1.

Applications: The Patriot HZ UNIT is ideal for industrial refrigeration, bottling facilities, rendering plants, refineries, gasoline storage, dry cleaning plants, spray finishing areas, aircraft hangars, fuel servicing areas, hazardous areas and food service areas.

Housing: Fully gasketed die-cast aluminum construction with an impact resistant polycarbonate lens. Stainless steel mounting feet and hardware.

MR16 or optional MR16 LED lamps provide reliability and performance with up to 70 foot spacing on center.

Ordering Logic

Series	Operation	Pb-A (Capacity)	Ni-Cd ^[1] (Capacity)	Lamp Type	Options
PTR-HZ	6 (6V)	18 (6V)	22 (6V)	See lamp selection	* AT ^[2] (autotest) * FA ^[4] (fire alarm interface- specify)
	12 (12V)	36 (6V, 12V)	42 (6V, 12V)	guide on next page	NC ^[3] (nickel-cadmium battery)
		60 (6V, 12V)	54 (6V)		* AM (ammeter)
					* VM (voltmeter) WG (wireguard)

[1]NOTE: Must select NC from options when selecting Ni-Cd.
 [2]NOTE: includes an automatic time delay function to allow for HID lighting to "warm up". Specify 0, 5, 10 or 20 minutes.
 [3]NOTE: NC (select wattage/voltage from Ni-Cd column).
 [4]NOTE: Specify 120V or 277V.

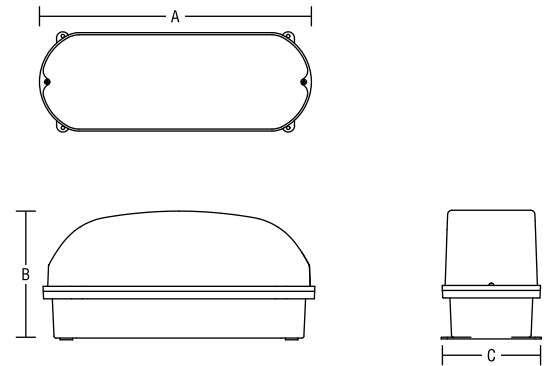
*Only available in units 42W and under.

Ordering Example: PTR-HZ-12-36-MR16-10W-AT

Specifications: External

The Patriot HZ UNIT is constructed from .100" thick, heavy duty cast aluminum. Stainless steel tamper resistant screws are standard and ensure the integrity of the battery unit. The Patriot HZ UNIT comes standard in an industrial gray color although custom color options are available upon request. The Patriot HZ UNIT comes standard with an LED status indicator and test switch under the lens. The lens is constructed from a vandal resistant polycarbonate for maximum durability. Lamp and reflector assemblies are offered in a fully adjustable, high output MR16 halogen or LED configurations. A hazardous, NEMA 4X / IP66 1/2" conduit fitting is supplied standard. Stainless steel mounting straps are supplied for surface mounting.

Dimensions



Series	A"	B"	C"
PTR-HZ	16.25"	7.5"	6"
	413mm	191mm	152mm

Hazardous / IP66 / NEMA 4x /
vandal resistant / sanitation / cold





CATALOG NUMBER:

NOTES:

FIXTURE TYPE:

PROJECT:

■ Specifications: Electrical

BATTERY: The Patriot HZ UNIT is designed with a maintenance free, sealed valve regulated lead acid battery that provides a minimum emergency duration of 90 minutes. Recharge time of the battery is less than twenty-four [24] hours. An optional Nickel-Cadmium battery is available.

CIRCUIT: The Patriot HZ UNIT utilizes a high-efficiency two stage charger providing precise float voltage control with low voltage disconnect protection. All components used in the circuitry are temperature compensated. The charger also has brownout and short circuit protection. Charger status is easily determined via a dual diagnostic LED display which indicates AC/ON and High Charge. A magnetic test switch allows maintenance personnel to quickly determine the operational status of the unit and lamp load.

■ Specifications: Mechanical

The Patriot HZ UNIT is constructed from a durable, fully gasketed die-cast aluminum housing and a 0.125" polycarbonate lens. Stainless steel mounting straps are supplied for surface mounting. Lamp loads are connected to the emergency power supply with sturdy terminal connectors. These connectors allow for a large gauge of wire to be used, increasing the flexibility or installation. The Patriot HZ UNIT is supplied standard in a durable gray powder coat, baked finish. Other colors are available, including color matching, please specify. CSA C22.2 No. 141 Performance Certified.

■ Autotest

The Mule autotest system automatically performs one 5 minute discharge test monthly and every 6 months it performs two 30 minute discharge tests, 24 hours apart. This tests both full battery capacity and recharge capability. The information is communicated simply and intuitively to maintenance personnel via a single multi-color LED. The Patriot HZ UNIT autotest option includes an automatic time delay function to allow for HID lighting to "warm up". Specify 0, 5, 10 or 20 minutes.

■ Sanitation Listed (SL)

The Patriot HZ UNIT is sanitation approved. The Intertek verified splash zone listing is equivalent to the NSF Standard 2, meeting the rigorous sanitation, electrical safety and performance standards of food service environments.

■ Hazardous

The Patriot HZ UNIT is approved for use in Class 1 Division 2, Groups A, B, C, D; Class 2 Divisions 1 & 2, Groups E, F, G: T coded T4a, T3B, T3a, T2d, T2a, or T1.

■ Lamp Selection

	6V	12V
MR16	10W	10,12,20,35,50W
LEDMR16	5W	5,7W

■ Model Rating Guide

Model	Voltage	Wattage			
		90min	120min	180min	240min
PTR-HZ-6-18	6	18	13	9	6
PTR-HZ-6-22	6	22	16	11	8
PTR-HZ-6-36	6	36	27	18	13
PTR-HZ-6-42	6	42	31	21	15
PTR-HZ-6-54	6	54	41	27	20
PTR-HZ-6-60 ^[1]	6	60	45	30	22
PTR-HZ-6-72	6	72	54	36	27
PTR-HZ-12-36	12	36	27	18	13
PTR-HZ-12-42	12	42	31	21	15
PTR-HZ-12-60 ^[1]	12	60	45	30	22

[1]NOTE: Not available with all options.

■ Temperature Codes

Temperature Codes Class 1, Div. 1				
Lamp	10W Hal.	12W Hal.	20W Hal.	7W LED max
T Code	T3A	T3B	T2D	T4A
Temperature Codes Class 2, Div. 1 & 2				
Lamp	10W Hal.	12W Hal.	20W Hal.	7W LED max
T Code	T4A	T4A	T4A	T4A

■ Warranty

The Patriot HZ UNIT comes with a 3-year factory warranty. Deliberate damage, misuse, improper installation effectively cancel the warranty.