



RG-80 Series

RECESSED GIMBAL EMERGENCY LIGHT



PROJECT: _____
 FIXTURE TYPE: _____
 LOCATION: _____
 CONTACT/PHONE: _____

PRODUCT DESCRIPTION

The RG-80 Recessed Emergency Gimbal enables the designer to retain a clean look in the architectural environment while providing effective emergency lighting. The trim consists of a white thermoplastic gimbal ring with an integral test switch and AC indicator light. The gimbal ring can be adjusted to achieve optimum aiming of emergency light.

PRODUCT SPECIFICATIONS

CONSTRUCTION

Steel mounting frame and housing • 6" Recessed housing with telescoping bar hangers • Bar hangers can be re-positioned 90° • Impact resistant thermoplastic trim • 40° vertical adjustment and 120° rotation • Trim attaches to housing with spring clips • Battery and charging circuitry inside the housing • White or black textured finish.

ELECTRICAL

Dual 120/277 voltage standard • Isolation transformer • Junction box with 3/4" knockouts for AC input • Solid state charging and switching • Brownout protection • Battery low voltage disconnect • Overload and short circuit protection • AC Indicator light and test switch

LAMPS

Supplied with a Bi Pin Halogen 6V 8W lamp • Custom PAR36 size reflector and lens offer optimum emergency lighting illumination

BATTERY

Premium grade, Sealed Lead Acid battery with 10 year expected life • Standard battery will operate fixture for a minimum of 90 minutes in the event of a power outage.

CODE COMPLIANCE

UL924 • Listed for damp locations (0°C – 50°C) • NFPA 101 Life Safety Code compliant • NEC and OSHA compliant • Meets the State of Minnesota energy efficiency requirements.

WARRANTY

5-year warranty on housing and electronics. 1-year warranty on battery. Product specifications subject to change without notice.

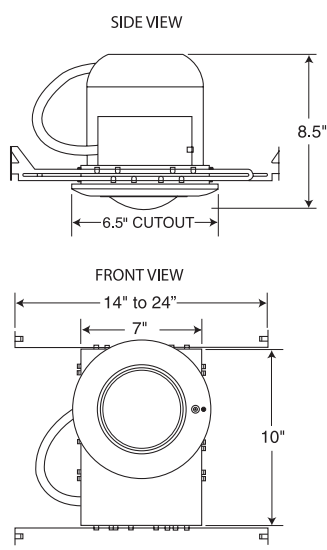
INSTALLATION

MOUNTING

Ceiling recessed mounted • Includes telescoping bar hangers for joist or T-bar ceiling applications • Housing is vertically adjustable up to 1" to accommodate various ceiling thicknesses.

ORDERING INFORMATION

model	housing color
RG-80	WH = White
	BL = Black



ENGINEERING DATA

Input Voltage	Max. Amps	Max. Watts
120	0.03	2.8
277	0.016	3.5



Ordering Example RG-80-W