



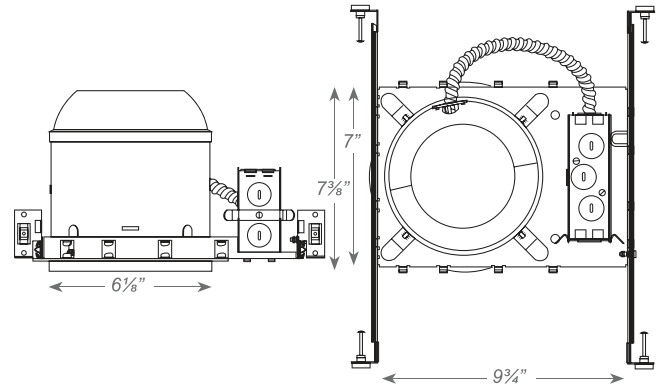
# RG-80 Series

RECESSED GIMBAL EMERGENCY LIGHT



PROJECT: \_\_\_\_\_  
 FIXTURE TYPE: \_\_\_\_\_  
 LOCATION: \_\_\_\_\_  
 CONTACT/PHONE: \_\_\_\_\_

## DIMENSIONS



## ELECTRICAL

- Dual 120/277 voltage.
- Charge rate/power “ON” LED indicator light and push-to-test switch for mandated code compliance testing.
- LVD (low voltage disconnect) prevents battery from deep discharge.
- 6V maintenance-free, rechargeable sealed lead acid battery.
- Internal solid-state transfer switch automatically connects the internal battery to lamp head for minimum 90-minute emergency illumination.
- Fully automatic solid-state, two rate charger initiates battery charging to recharge a discharged battery in 24 hours.

## PRODUCT DESCRIPTION

The RG-80 Recessed Emergency Gimbal enables the designer to retain a clean look in the architectural environment while providing effective emergency lighting. The trim consists of a white thermoplastic gimbal ring with an integral test switch and AC indicator light. The gimbal ring can be adjusted to achieve optimum aiming of emergency light.

## ILLUMINATION

- Adjustable ultra bright 8 watt bi-pin halogen lamp in a gimbal trim.
- Sealed beam PAR36-type gimbal trim with smooth chrome-plated metalized reflector and plastic lens offers optimal light distribution.

## HOUSING

- 6” recessed housing with mounting bar hangers.
- Impact-resistant thermoplastic adjustable gimbal trim.
- Junction box with 3/4” knockouts for AC input
- White or black trim securely attached to housing with spring clips.

## MOUNTING

- Compatible with drop ceiling mount installations. Bar hangers included.

## OPTIONS

- LED: 1.5 watt LED lamp.

## WARRANTY & LISTINGS

- Five year warranty on all electronics and housing. Battery prorated for two years.
- Meets UL924, NFPA 101 Life Safety Code, NEC, OSHA, Local and State Codes.
- UL Listed for dry locations (25°C).

## ORDERING INFORMATION

MODEL	HOUSING COLOR	TRIM	LAMP OPTIONS
RG-80	WHT = White BLK = Black	GIMBAL = Adjustable gimbal style trim	(blank) = 8.0 watt halogen lamp LED = 1.5 watt LED lamp

Ordering Example: RG-80-WHT-GIMBAL

