



# RG-80 Series

RECESSED GIMBAL EMERGENCY LIGHT



PROJECT: \_\_\_\_\_  
 FIXTURE TYPE: \_\_\_\_\_  
 LOCATION: \_\_\_\_\_  
 CONTACT/PHONE: \_\_\_\_\_

## PRODUCT DESCRIPTION

The RG-80 Recessed Emergency Gimbal enables the designer to retain a clean look in the architectural environment while providing effective emergency lighting. The trim consists of a white thermoplastic gimbal ring with an integral test switch and AC indicator light. The gimbal ring can be adjusted to achieve optimum aiming of emergency light.

## PRODUCT SPECIFICATIONS

### CONSTRUCTION

Steel mounting frame and housing • 6" Recessed housing with telescoping bar hangers • Bar hangers can be re-positioned 90° • Impact resistant thermoplastic trim • 40° vertical adjustment and 120° rotation • Trim attaches to housing with spring clips • Battery and charging circuitry inside the housing • White or black textured finish.

### ELECTRICAL

Dual 120/277 voltage standard • Isolation transformer • Junction box with 3/4" knockouts for AC input • Solid state charging and switching • Brownout protection • Battery low voltage disconnect • Overload and short circuit protection • AC Indicator light and test switch

### LAMPS

Supplied with a Bi Pin Halogen 6V 8W lamp • Custom PAR36 size reflector and lens offer optimum emergency lighting illumination

### BATTERY

Premium grade, Sealed Lead Acid battery with 10 year expected life • Standard battery will operate fixture for a minimum of 90 minutes in the event of a power outage.

### CODE COMPLIANCE

UL924 • Listed for damp locations (0°C – 50°C) • NFPA 101 Life Safety Code compliant • NEC and OSHA compliant • Meets the State of Minnesota energy efficiency requirements.

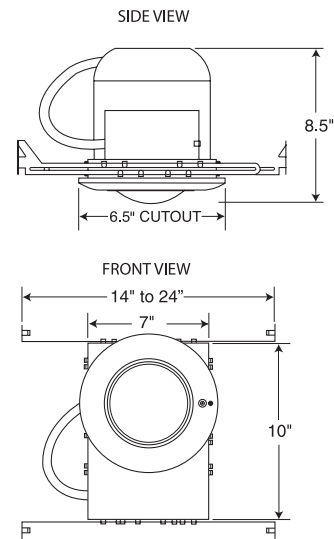
### WARRANTY

5-year warranty on housing and electronics. 1-year warranty on battery. Product specifications subject to change without notice.

## INSTALLATION

### MOUNTING

Ceiling recessed mounted • Includes telescoping bar hangers for joist or T-bar ceiling applications • Housing is vertically adjustable up to 1" to accommodate various ceiling thicknesses.



### ENGINEERING DATA

Input Voltage	Max. Amps	Max. Watts
120	0.03	2.8
277	0.016	3.5



## ORDERING INFORMATION

model	housing color
RG-80	WH = White
	BL = Black

Ordering Example RG-80-W