



CATALOG NUMBER:

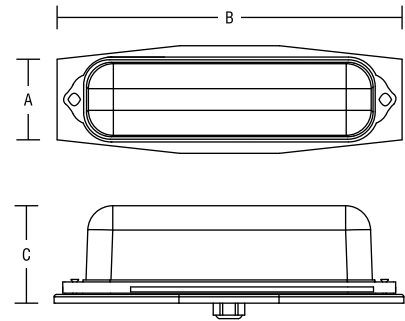
NOTES:

FIXTURE TYPE:

PROJECT:



The **WLPCL-RMT** features fully adjustable heads and a vacuum metalized reflector.



Series	A	B	C
I >B5>ZD? F	4.5"	14"	3.8"
	114mm	356mm	98mm

## PRODUCT FEATURES

### VANDAL RESISTANT DESIGN

The heavy duty design and construction of the WLPCL-RMT warns potential vandals that this is no regular remote. The lamps are protected by an impact resistant polycarbonate lens that is fastened with two tamper proof screws. The WLPCL-RMT remote offers a contemporary look and durability like no other.

### LAMP SELECTION

	6V	12V	24V
MR16	5W, 10W	10, 20, 35W	12, 20, 35, 50W
LED	N/A	3, 5, 7, 10W	

### MECHANICAL

The WLPCL-RMT remote is constructed with a powder coated steel mounting plate and an impact resistant polycarbonate lens. The WLPCL-RMT mounting plate is offered in either a white or black powder coat finish. Custom colors are available, consult factory.

### INSTALLATION

The WLPCL-RMT series remote is supplied with a universal mounting plate for surface ceiling or wall mount applications. Suitable for indoor, outdoor, damp or wet location applications with IP66 ingress protection.

### WARRANTY

The WLPCL-RMT Series comes with a 3-year factory warranty. Lamps are not covered under the warranty. Deliberate damage, misuse, improper installation effectively cancel the warranty.



## ORDERING INFORMATION

Model	Lamps	Options
WLPCL-RMT	See lamp selection	WW (White mounting plate) BB (Black mounting plate) CC (Custom color mounting plate)

Ordering Example: WLPCL-RMT-5W-LED