

**RMR-16-65-LED  
10 HOUR EMERGENCY UNIT**

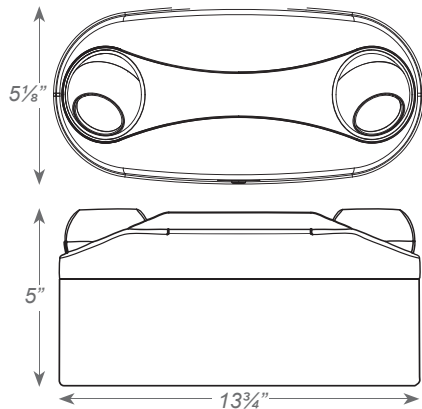


PROJECT: \_\_\_\_\_  
 FIXTURE TYPE: \_\_\_\_\_  
 LOCATION: \_\_\_\_\_  
 CONTACT/PHONE: \_\_\_\_\_



***UP TO 10 HOURS  
OF EMERGENCY  
RUN TIME***

**DIMENSIONS**



**ILLUMINATION**

- Two fully adjustable ultra bright, 3.3 watt, MR-16 LED lamp heads standard.
- High performance MR16 LED lamps with smooth metalized reflector and glass lens for optimal light distribution.

**MOUNTING**

- Universal knockout pattern on back plate for wall mount. Snaps into place making internal electrical connections.
- Conduit mount knockout on top of housing and backplate.

**ORDERING INFORMATION**

MODEL	HOUSING COLOR	OPTIONS
RMR-16-65 (6 Volt)	(blank) = White B = Black	PLED = 5.0W High Lumen White LED Lamps

**ELECTRICAL**

- Dual 120/277 voltage.
- Charge rate/power “ON” LED indicator light and push-to-test switch for mandated code compliance testing.
- LVD (low voltage disconnect) prevents battery from deep discharge.
- 6V maintenance-free, rechargeable sealed lead acid battery.
- Offers 10 hour runtime when using standard 3.3 watt LED lamps and 8 hour runtime when using optional 5 watt LED lamps.
- Internal solid-state transfer switch automatically connects the internal battery to lamp heads for minimum 90-minute emergency illumination.
- Fully automatic solid-state, two rate charger initiates battery charging to recharge a discharged battery in 24 hours.

**HOUSING**

- Injection-molded, engineering grade, 5VA flame retardant, high-impact resistant, thermoplastic in white or black finish.

**OPTIONS**

- PLED: 5.0W high performance MR-16 base LED lamps for premium center-to-center spacing.

**WARRANTY**

- Five year warranty on all electronics and housing. Battery pro rated for two years.
- Meets UL924, NFPA 101 Life Safety Code, NEC, OSHA, Local and State Codes.
- UL Listed for damp locations (20°C – 40°C).

Ordering Example: RMR-16-65-LED