



C-M5U Combo Unit



PROJECT: _____
 FIXTURE TYPE: _____
 LOCATION: _____
 CONTACT/PHONE: _____



ELECTRICAL

- 120/277VAC 60Hz dual voltage input optional.
- Brownout circuit protection for ST/SD fixture.
- Battery low voltage protection.
- Solid-State transfer circuit.
- Test switch and battery charging indicator.
- Maintenance free Ni-cad battery.
- 24hours recharge, more than 90minutes discharge.

HOUSING

- Injection-molded thermoplastic housing.
- Plastic enclosure with 5VA flame retardant.
- Compact and decorative design.
- Friendly configuration design for quick installation.
- EXIT letter 6" height and 3/4" stroke, snap in and snap out direction indicator.
- Fully rotatable lamps head easy snap in housing.
- Black color optional.

MOUNTING

- Suitable for wall mount, ceiling mount.
- Universal J-Box mounting pattern on back plate.

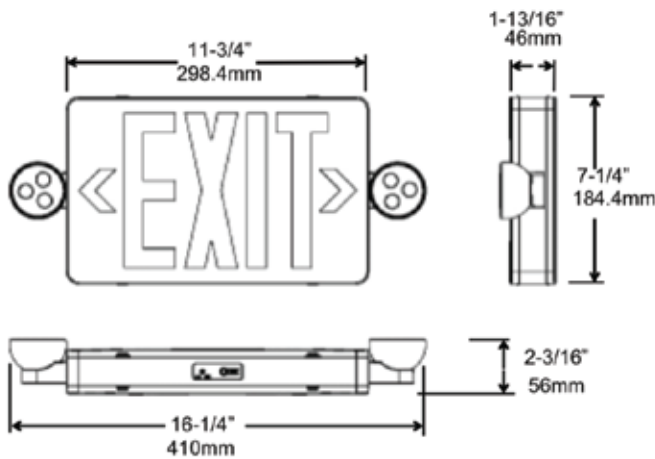
CODE COMPLIANCE

- UL listed and meets or exceed all requirement in NFPA 70, NFPA 101 life safety code, suitable for U.S.A market.
- Compliant CEC title 20 efficiency regulations.
- Suitable for 10°C-40°C ambient temperature, suitable for damp location.

OPTIONS

- Basic model with manual test switch and indicator.
- RC option with 3.6V1.5W remote capability.
- Self-testing and self-diagnostics optional.
- Red and green color exit sign optional.

DIMENSIONS



ILLUMINATION

- Long life red or green LED lamps provide uniform diffused illumination.
- Standard model lamp head DC3.6V 0.75W, delivers 150 lumens CCT 5700K.
- HO model lamp head DC 3.6V 1.2W, delivers 250 lumens CCT 5700K.

ORDERING INFORMATION

Model	Legend	Options	Housing Color
C-M5U	R = Red Color	HO = High Lumen Output	W = White
	G = Green Color	RC = Remote Capability	B = Black
		SD = Self-Diagnostics	



C-M5U Combo Unit



PROJECT: _____
 FIXTURE TYPE: _____
 LOCATION: _____
 CONTACT/PHONE: _____

MODEL LIST & ELECTRICAL RATING

No.	Model	Letter Color	Test facility	Battery	Recharge Time	Emergency Duration	Input				Output			
							Input Voltage	Frequency	Input Current	Power factor	Power Consumption	Lamp Head	Luminous Flux(initial)	Remote capability
1	C-M5U-R(G)	Red/ Green	MT	Ni-cad 3.6V900mAh	24 hours	>90 minutes	120/277V	60Hz	30mA Max.	0.8	2.8W max.	0.75W*2pcs	150lm	n/a
2	C-M5U-R(G)-RC	Red/ Green	MT	Ni-cad 3.6V900mAh 2pcs	24 hours	>90 minutes	120/277V	60Hz	33mA Max.	0.8	3.5W max.	0.75W*2pcs	150lm	3.6V1.5W
3	C-M5U-R(G)-HO	Red/ Green	MT	Ni-cad 3.6V900mAh 2pcs	24 hours	>90 minutes	120/277V	60Hz	33mA Max.	0.8	3.4W max.	1.2W*2pcs	250lm	n/a
4	C-M5U-R(G)-SD	Red/ Green	ST/SD	Ni-cad 3.6V900mAh	24 hours	>90 minutes	120/277V	60Hz	30mA Max.	0.8	2.8W max.	0.75W*2pcs	150lm	n/a
5	C-M5U-R(G)-RC-SD	Red/ Green	ST/SD	Ni-cad 3.6V900mAh 2pcs	24 hours	>90 minutes	120/277V	60Hz	33mA Max.	0.8	3.8W max.	0.75 W*2pcs	150lm	3.6V1.5W
6	C-M5U-R(G)-HO-SD	Red/ Green	ST/SD	Ni-cad 3.6V900mAh 2pcs	24 hours	>90 minutes	120/277V	60Hz	33mA Max.	0.8	3.8W max.	1.2W*2pcs	250lm	n/a

NOTES:

MT= manual test.

ST/SD = self-test and self-diagnostic function, also includes manual test.

PHOTOMETRIC

Model	Lumen output	Spacing distance @7.5ft mounting height	Spacing distance @10ft mounting height
C-M5U	150lm	18ft	17ft
C-M5U-HO	250lm	30ft	28ft

Compliant NFPA 101 requires 1.0 foot-candle average and 0.1 foot-candle minimum with a 40:1 maximum/minimum ratio.

REMOTE HEADS

Remote capability option: 3.6V 1.5W



RM-S

- Single remote head, 3.6V 0.75W delivers 85lm per unit.
- Operation temperature range 0°C...+50°C suitable for damp location.
- UL, cUL listed.



RM-D

- Dual remote heads, 3.6V 1.5W Delivers 170lm per unit.
- Operation temperature range 0°C...+50°C. Suitable for damp location.
- UL, CUL listed.



C-M5U Combo Unit

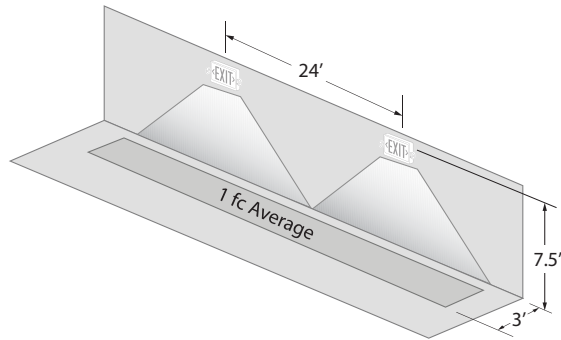


PROJECT: _____
FIXTURE TYPE: _____
LOCATION: _____
CONTACT/PHONE: _____

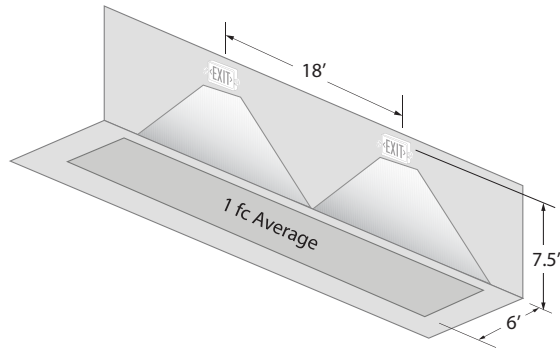
SPACING GUIDES

C-M5U

3ft Path Spacing

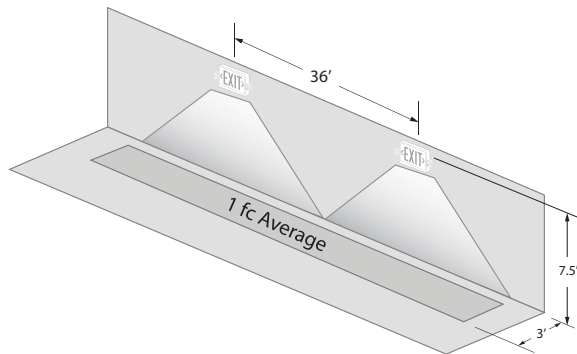


6ft Path Spacing



C-M5U-HO

3ft Path Spacing



6ft Path Spacing

