



C-M5U Combo Unit



PROJECT: _____
 FIXTURE TYPE: _____
 LOCATION: _____
 CONTACT/PHONE: _____



ELECTRICAL

- 120/277VAC 60Hz dual voltage input optional.
- Brownout circuit protection for ST/SD fixture.
- Battery low voltage protection.
- Solid-State transfer circuit.
- Test switch and battery charging indicator.
- Maintenance free Ni-cad battery.
- 24hours recharge, more than 90 minutes discharge.

HOUSING

- Injection-molded thermoplastic housing.
- Plastic enclosure with 5VA flame retardant.
- Compact and decorative design.
- Friendly configuration design for quick installation.
- EXIT letter 6" height and 3/4" stroke, snap in and snap out direction indicator.
- Fully rotatable lamps head easy snap in housing.
- Black color optional.

MOUNTING

- Suitable for wall mount, ceiling mount.
- Universal J-Box mounting pattern on back plate.

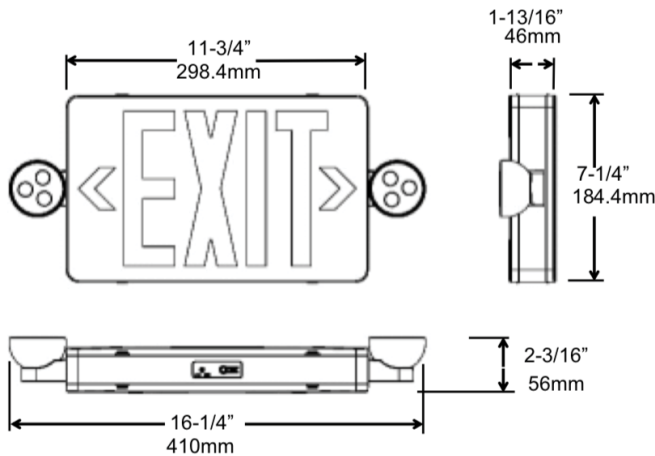
CODE COMPLIANCE

- UL listed and meets or exceed all requirement in NFPA 70, NFPA 101 life safety code, suitable for U.S.A market.
- Compliant CEC title 20 efficiency regulations.
- Suitable for 10°C-40°C ambient temperature, suitable for damp location.

OPTIONS

- Basic model with manual test switch and indicator.
- RC option with 3.6V1.5W remote capability.
- Self-testing and self-diagnostics optional.
- Red and green color exit sign optional.

DIMENSIONS



ILLUMINATION

- Long life red or green LED lamps provide uniform diffused illumination.
- Standard model lamp head DC3.6V 0.75W, delivers 150 lumens CCT 5700K.
- HO model lamp head DC 3.6V 1.2W, delivers 250 lumens CCT 5700K.

ORDERING INFORMATION

| Model | Legend | Options | Housing Color | Accessories |
|-----------------------|-----------------|------------------------|---------------|---------------------------------------|
| C-M5U | R = Red Color | HO = High Lumen Output | W = White | WG-STI-9644 = Wire Guard, White |
| | G = Green Color | RC = Remote Capability | B = Black | BG-1 = Vandal Resistant Bubble Shield |
| SD = Self-Diagnostics | | | | |



C-M5U Combo Unit



PROJECT: _____
 FIXTURE TYPE: _____
 LOCATION: _____
 CONTACT/PHONE: _____

MODEL LIST & ELECTRICAL RATING

| No. | Model | Letter Color | Test facility | Battery | Recharge Time | Emergency Duration | Input | | | | Output | | |
|-----|------------------|--------------|---------------|------------------------|---------------|--------------------|-------------------------|---------------|--------------|-------------------|-------------|------------------------|-------------------|
| | | | | | | | Input Voltage Frequency | Input Current | Power factor | Power Consumption | Lamp Head | Luminous Flux(initial) | Remote capability |
| 1 | C-M5U-R(G) | Red/ Green | MT | Ni-cad 3.6V900mAh | 24 hours | >90 minutes | 120/277V 60Hz | 30mA Max. | 0.8 | 2.8W max. | 0.75W*2pcs | 150lm | n/a |
| 2 | C-M5U-R(G)-RC | Red/ Green | MT | Ni-cad 3.6V900mAh 2pcs | 24 hours | >90 minutes | 120/277V 60Hz | 33mA Max. | 0.8 | 3.5W max. | 0.75W*2pcs | 150lm | 3.6V1.5W |
| 3 | C-M5U-R(G)-HO | Red/ Green | MT | Ni-cad 3.6V900mAh 2pcs | 24 hours | >90 minutes | 120/277V 60Hz | 33mA Max. | 0.8 | 3.4W max. | 1.2W*2pcs | 250lm | n/a |
| 4 | C-M5U-R(G)-SD | Red/ Green | ST/SD | Ni-cad 3.6V900mAh | 24 hours | >90 minutes | 120/277V 60Hz | 30mA Max. | 0.8 | 2.8W max. | 0.75W*2pcs | 150lm | n/a |
| 5 | C-M5U-R(G)-RC-SD | Red/ Green | ST/SD | Ni-cad 3.6V900mAh 2pcs | 24 hours | >90 minutes | 120/277V 60Hz | 33mA Max. | 0.8 | 3.8W max. | 0.75 W*2pcs | 150lm | 3.6V1.5W |
| 6 | C-M5U-R(G)-HO-SD | Red/ Green | ST/SD | Ni-cad 3.6V900mAh 2pcs | 24 hours | >90 minutes | 120/277V 60Hz | 33mA Max. | 0.8 | 3.8W max. | 1.2W*2pcs | 250lm | n/a |

NOTES:

MT= manual test.

ST/SD = self-test and self-diagnostic function, also includes manual test.

PHOTOMETRIC

| Model | Lumen output | Spacing distance @7.5ft mounting height | Spacing distance @10ft mounting height |
|----------|--------------|---|--|
| C-M5U | 150lm | 18ft | 17ft |
| C-M5U-HO | 250lm | 30ft | 28ft |

Compliant NFPA 101 requires 1.0 foot-candle average and 0.1 foot-candle minimum with a 40:1 maximum/minimum ratio.

REMOTE HEADS

Remote capability option: 3.6V 1.5W



RM-1

- Single remote head, 3.6V 0.75W delivers 85lm per unit.
- Operation temperature range 0°C...+50°C suitable for damp location.
- UL, cUL listed.



RM-2

- Dual remote heads, 3.6V 1.5W Delivers 170lm per unit.
- Operation temperature range 0°C...+50°C. Suitable for damp location.
- UL, CUL listed.



C-M5U Combo Unit

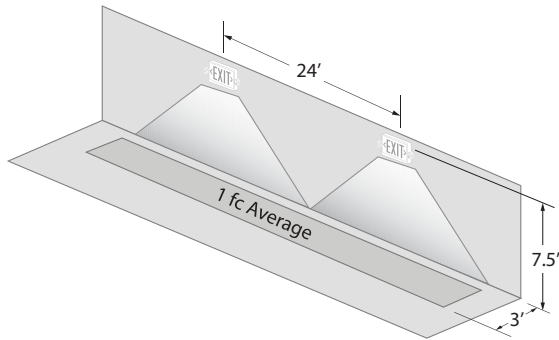


PROJECT: _____
FIXTURE TYPE: _____
LOCATION: _____
CONTACT/PHONE: _____

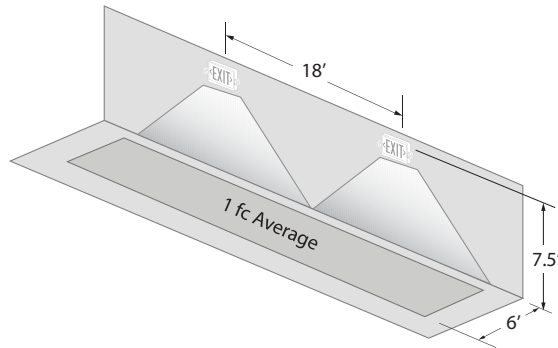
SPACING GUIDES

C-M5U

3ft Path Spacing

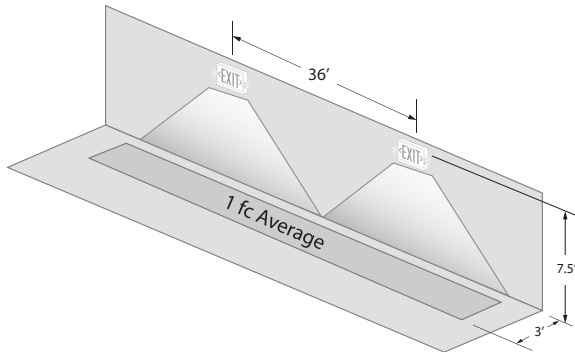


6ft Path Spacing



C-M5U-HO

3ft Path Spacing



6ft Path Spacing

