



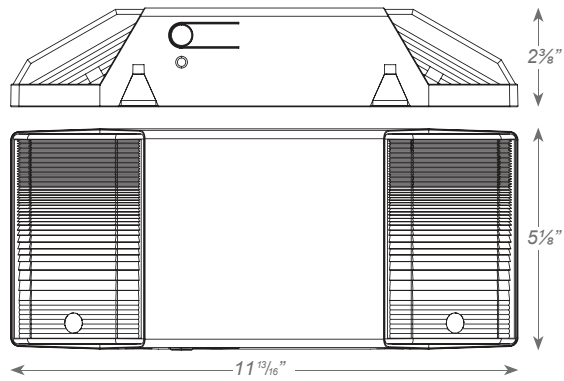
EMF-90-LED
LED Fixed Optics Thermoplastic Emergency Unit



PROJECT: _____
 FIXTURE TYPE: _____
 LOCATION: _____
 CONTACT/PHONE: _____



DIMENSIONS



ILLUMINATION

- Long life, efficient, ultra bright white LED lamp heads.
- Two fixed, 2.0 watt LED lamp heads.
- High performance, chrome-plated metallized reflector and plastic lens for optimal light distribution.

MOUNTING

- Universal knockout pattern on back plate for surface mount. Snaps into place making internal electrical connections.
- Suitable for wall or ceiling mount.

ORDERING INFORMATION

MODEL	HOUSING COLOR
EMF-90-LED	(blank) = White
	B = Black

Ordering Example: EMF-90-LED

ELECTRICAL

- Dual 120/277 voltage.
- Charge rate/power “ON” LED indicator light and push-to-test switch for mandated code compliance testing.
- 3.6V long life, maintenance-free, rechargeable NiCd battery.
- Internal solid-state transfer switch automatically connects the internal battery to LED lamp heads for minimum 90-minute emergency illumination.
- Fully automatic solid-state, two rate charger initiates battery charging to recharge a discharged battery in 24 hours.

HOUSING

- Injection-molded, engineering grade, 5VA flame retardant, high-impact resistant, thermoplastic in white or black finish.

WARRANTY

- Five year warranty on all electronics and housing. Battery prorated for five years.
- Meets UL924, cULus, NFPA 101 Life Safety Code, NEC, OSHA, Local and State Codes.
- CSA Listed to UL 924 standards for damp locations (0°C – 40°C).