



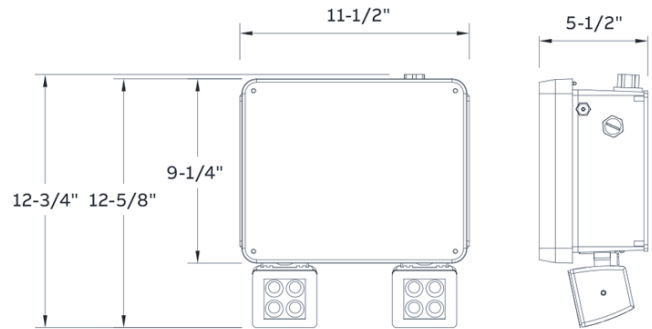
## MP SERIES- Wet Location Series High-Powered NEMA 4X Emergency Light



PROJECT: \_\_\_\_\_  
 FIXTURE TYPE: \_\_\_\_\_  
 LOCATION: \_\_\_\_\_  
 CONTACT/PHONE: \_\_\_\_\_



### DIMENSIONS



### PRODUCT OVERVIEW

The MP Series NEMA 4X high-powered emergency light is suitable for all types of wet locations. Available in a variety of voltage and wattage combinations.

Two bottom-mounted four-LED, dual-driver lamp heads produce powerful emergency illumination that lasts for a minimum 90 minutes. UL 844, 924, and 1604 Listed. A push-to-test button allows for easy testing of the battery backup system.

This NEMA 4X emergency light back mounts to normally inflammable surfaces. Operates using 120 or 277V AC power, special voltages available.

This wet location rated emergency light is suitable for oil refineries, power plants, and chemical processing facilities. A powerful battery backup system provides a minimum 90 minutes of emergency illumination during power outages.

Self-Testing Diagnostics are standard on this NEMA 4X emergency light. All of the hazardous location emergency lights are outfitted with the latest technology and designed for the most extreme environments.

### FEATURES

- NEMA 4X Rated
- Gray fiberglass constructed housing
- Infrared remote for simple testing
- UL 924 Listed for the USA
- 3 year warranty

### EXTERNAL SPECIFICATIONS

The MP Series is constructed from fiberglass reinforced polyester and is approved for a variety of industrial and wet locations. Water and corrosion-resistant cabinet is made of fiberglass reinforced polyester. Industrial gray cabinet is fully gasketed around the cover. A small window that allows for easy monitoring of the AC indicator light and self-diagnostic functionality. Comes standard with explosion proof lamp heads.

### LED LAMP HEADS

- 6W, 10W, and 15W LED lamp head
- 565, 1000, and 1300 lumens per lamp
- Outperforms 50W Halogen MR16
- Die-cast aluminum construction

### ORDERING INFORMATION

Series	Capacity	Heads	Lamps	Diagnostics	Options
MP	M30 (12V 30W lead-calcium) M60 (12V 60W lead-calcium) N40 (12V 40W nickel-cadmium) N90 (24V 90W nickel-cadmium)	2 (double) 1 (one) 0 (none)	L6 (6W LED) L10 (10W LED) L15 (15W LED)	D (self-diagnostics) DA (audible self-diagnostics)	CL (cold location)





## MP SERIES- Wet Location Series High-Powered NEMA 4X Emergency Light



PROJECT: \_\_\_\_\_  
FIXTURE TYPE: \_\_\_\_\_  
LOCATION: \_\_\_\_\_  
CONTACT/PHONE: \_\_\_\_\_

### BATTERY

The MP uses sealed lead-calcium or nickel-cadmium emergency light batteries which provide a minimum 90 minutes of emergency power to the (2) lamp heads. The MP can provide power to remotely located lamp heads and can be configured for extended run times of up to 4.5 hours.

### COLD LOCATION OPTION

The unit can be outfitted with an internal heater that keeps battery backup system ready for emergency mode operation for applications that feature freezing temperatures as low as -40°F (-40°C).

### ELECTRICAL SPECIFICATIONS

120/277V AC dual-voltage operation is standard. Other voltages available upon request such as 220V and 240V.

### SELF-DIAGNOSTICS

Standard Self-Diagnostic circuitry continuously monitors every critical function of the unit. If a problem occurs, a single fault indicator on the outside of the fixture flashes immediately.

A detailed diagnostic display is located internally. The detailed display will further indicate the nature of the fault as either a battery fault, load fault or a charger fault.

### CODE COMPLIANCE

UL924 Listed for the U.S. and Canada, CS860, NFPA, Life Safety 101, UL Listed for Damp Locations. UL Listed for Wet Locations.



### WARRANTY

The MP Series comes with a 3-year factory warranty. The lamps are not covered. Deliberate damage, misuse, or improper installation effectively cancel the warranty. Battery features a 20% per year pro-rata warranty.