



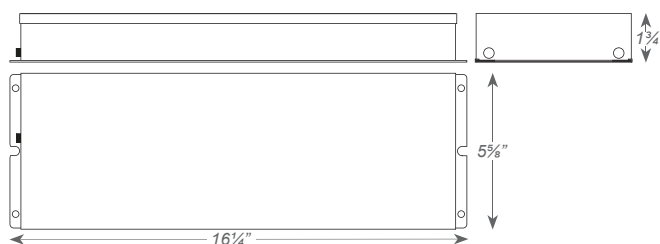
BLEDEM-BP/DM-20
Emergency Driver For LED Lamps (With Internal/External Driver)



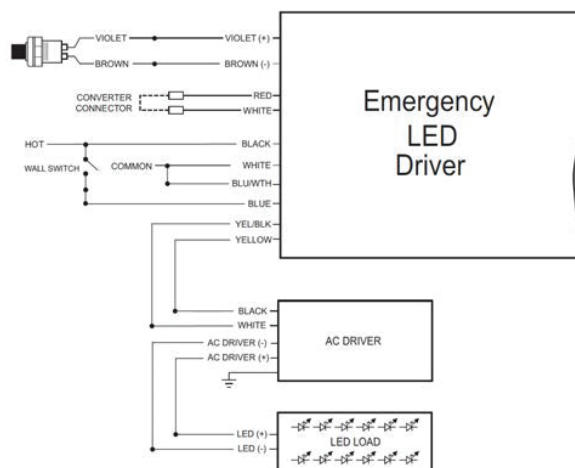
PROJECT: _____
 FIXTURE TYPE: _____
 LOCATION: _____
 CONTACT/PHONE: _____



DIMENSIONS



WIRING DIAGRAM



WARRANTY & LISTINGS

- UL Listed for factory or field installation.
- Suitable for damp locations (0°C - 50°C).
- 5 year warranty on all electronics and housing.
- Meets UL924, NFPA 101 Life Safety Code, NEC, OSHA, Local and State codes.

ILLUMINATION

- Provides 180VDC (equals to 120VAC) to the load during emergency mode operation.
- For use with switched or unswitched fixtures.
- Can be used with LED lamp loads of up to 20W and provide 100% lumen output.

ELECTRICAL

- Universal 120-277V, 50-60 Hz input.
- Charge/Power " ON" LED indicator light and push-to-test switch for mandated code compliance testing.
- Long-life, maintenance free, rechargeable NiCad battery.
- Output short/overcurrent protection: Electronic limiting, with normal operation resuming upon removal of fault.
- 90 Minute minimum emergency operating time over full temperature range.
- 24 Hour maximum battery recharge time.

HOUSING

- Durable painted steel construction in red finish.
- Provided with 2' flex conduits.

MOUNTING

- Suitable for installation on top or in remote of the fixture.
- Can be used in both switched and unswitched fixtures.

ORDERING INFORMATION

Model	Output Ratings	
	Voltage (VDC)	Power (W)
BLEDEM-BP/DM-20	180-320	20

