



XPEH SERIES

Explosion Proof LED Emergency Light & Exit Sign



PROJECT: _____
 FIXTURE TYPE: _____
 LOCATION: _____
 CONTACT/PHONE: _____



PRODUCT DESCRIPTION

XPEH series LED Emergency Light and Exit Sign uses a maintenance free LED light source and sealed Ni-Cad batteries. This emergency fixture meets or exceeds NFPA 70, NFPA 101, EPA Energy Star and OSHA requirements. These fixtures are also suitable for installations in wet or damp locations where salt water spray is possible.

MAXIMUM INPUT POWER

- XPEH Emergency Light with:
- Red Exit Sign & 2 LED heads - 6.5 W
- Red Exit Sign & 4 LED heads - 10.5 W
- Green Exit Sign & 2 LED heads - 7 W
- Green Exit Sign & 4 LED heads - 11 W

FEATURES

- Two high lumen spot lights can be adjusted in horizontal and vertical planes
- Independent battery backup system for exit signs and spotlights
- Unit can power up to two optional remote spot lights
- Field replaceable LED circuit boards and drivers with quick disconnects
- Emergency battery back-up integral to sign (no additional enclosure required)
- 3-hour emergency operation
- Edge-lit sign
- Wall, pendant and end mounting options
- Captive, hinged-access door
- Wide and narrow-beam optics available
- Separate push-to-test and pilot light for local and remote heads
- Separate sealed NiCad batteries for exit sign
- Alternate exit legend and languages available
- Single- or double-sided option
- Three 1" NPT hubs
- Red or green LED options

STANDARD MATERIALS

- Body: A360 aluminum (less than .4% copper content) with baked-on gray epoxy finish
- Gasket: One-piece neoprene
- Sign: Acrylic
- Hardware: Stainless steel

MAXIMUM OUTPUT DATA

- Each Remote Head:
- Voltage: 22V DC. max.
 - Current: 0.225 A (225mA)
 - Max. Power: 5 W



ORDERING INFORMATION

Series	No. of Faces	Legend Color	Voltage/Frequency	Installed Heads	Remote Heads ¹	Options ²
XPEH	1 = Single	R = Red	DT = 120/277V 60HZ	0 = None	0 = None	N = Narrow Beam Optics
Class I, Division 1, Groups C & D	2 = Double	G = Green	24 = 220-240V 50HZ	1 = One	1 = One	W = Wide Beam Optics
Class II, Division 1, Groups E, F & G				2 = Two	2 = Two	X = EXIT Legend in other languages
Class III					3 = Three	
Class I, Zone 1, Groups IIA, IIB,					4 = Four	(Language must be Specified)
UL 844, 1598, 8750, 924						
UL 1598A Marine Outside Type (Salt Water)						
USCG Regulation 46 CFR Subparts 111.75-15						
(e) & 112.43						
CUL						
IP65, NEMA 4X						
Suitable for Wet Locations						

EXAMPLE: XPEH-1-R-DT-1-2-N

¹ XPEH Series emergency lights with remote head option are provided with extra LED driver. Remote heads can only be wired to the emergency fixtures with remote head option. LED heads are furnished with 1/2"-14 NPT male hub, must be installed on suitably listed explosion proof junction box not provided by Mule. ² Consult Factory for pricing.



XPEH SERIES

Explosion Proof LED Emergency Light & Exit Sign



PROJECT: _____
 FIXTURE TYPE: _____
 LOCATION: _____
 CONTACT/PHONE: _____

CLASSIFICATIONS

- Class I, Division 1, Groups C & D, Class II, Division 1, Groups E, F & G
- Class III
- Class I, Zone 1, Groups IIA, IIB
- UL 844, 1598, 8750 & 924
- UL 1598A Marine Outside Type (Salt Water)
- USCG Regulation 46 CFR Subparts 111.75-15(e) & 112.43
- CUL
- IP65
- NEMA 4X
- Suitable for Wet Locations
- Patent No. 7,287,347;
- Other patents pending

Combinations Available		
Installed	Remote	Drivers
2	0	1
1	1	1
0	2	1
2	2	2
1	3	2
0	4	2

CERTIFICATION GUIDE

XPEH Series Emergency Combo with:	Ambient Temperature Range	Class I, Division 1 Groups C & D	Class II, Division 1 Groups E, F & G Class III	Simultaneous Presence Class I & II	UL 1598A Marine	CUL
Green Exit Sign	10°C to 35°C	T6	T6	T6	Yes	Yes
Red Exit Sign	10°C to 45°C	T6	T6	T6	Yes	Yes

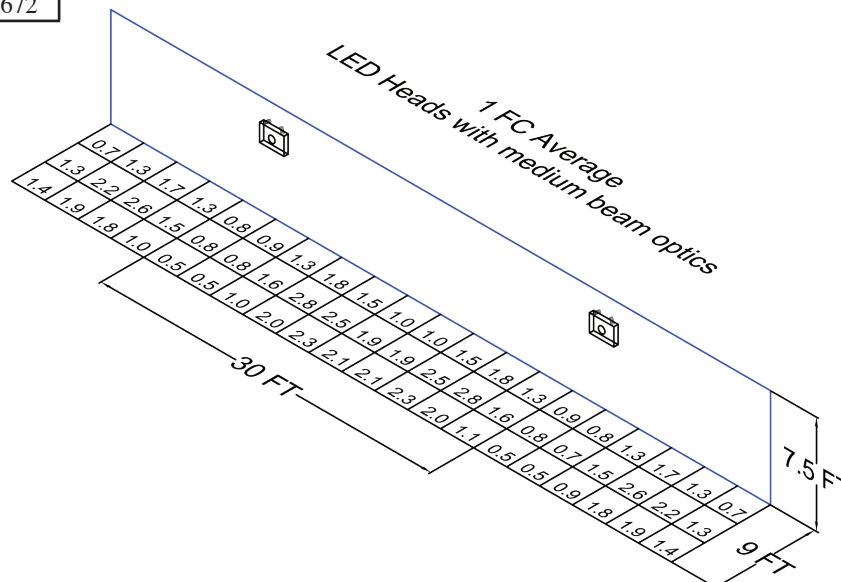
Catalog logic is for explaining catalog number structure only. Not all combinations are possible; consult factory for catalog numbers not listed in charts.

PHOTOMETRIC DATA

XPEH LED head with medium beam optics:

Total Lumens per Head	420.78
Output Watts per Head	4.83
Efficacy (Lumens/Watts)	87.12
CRI	72
CCT	5672

Average Initial Footcandles at the Floor	1.49
Maximum Initial Footcandles at the Floor	2.80
Minimum Initial Footcandles at the Floor	0.50
Maximum to Minimum Ratio	5.60





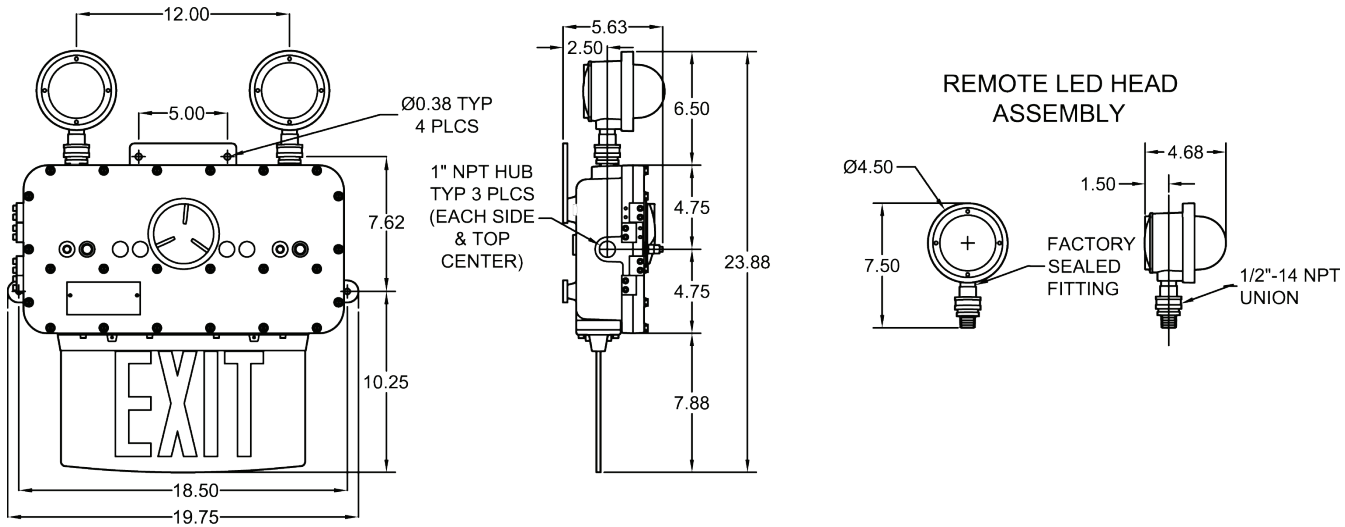
XPEH SERIES

Explosion Proof LED Emergency Light & Exit Sign



PROJECT: _____
 FIXTURE TYPE: _____
 LOCATION: _____
 CONTACT/PHONE: _____

DIMENSIONS (INCHES)



XPEH SERIES	Shipping Weight	Shipping Volume
Emergency Combo	40.5 lbs.	3.1 cu. ft.
Emergency Combo with Remote Heads Option*	43.5 lbs.	3.1 cu. ft.
Remote Head Assembly	3.5 lbs.	0.27 cu. ft.

* Remote Head Assemblies are shipped separately.
 (Additional weight of the emergency light is due to extra driver for remote heads.)