



XPEX LED SERIES

Explosion Proof Edge Lit LED Exit Sign



PROJECT: _____
 FIXTURE TYPE: _____
 LOCATION: _____
 CONTACT/PHONE: _____



FEATURES

- Emergency battery back-up integral to sign (no additional enclosure required)
- 3-hour emergency operation
- Optional battery back-up self-diagnostic feature
- Field replaceable LED circuit boards and drivers with quick disconnects
- Edge-lit sign
- Wall, pendant and end mounting options
- Alternate exit legend and languages available
- Single- or double-sided option
- Sealed NiCad batteries
- Provided with three (3) 1/2" NPT hubs
- Red or green LED options

STANDARD MATERIALS

- Body: A356T6 aluminum (less than .4% copper content) with baked-on gray epoxy finish
- Gasket: One-piece silicone
- Sign: Acrylic
- Hardware: Stainless steel

CLASSIFICATION

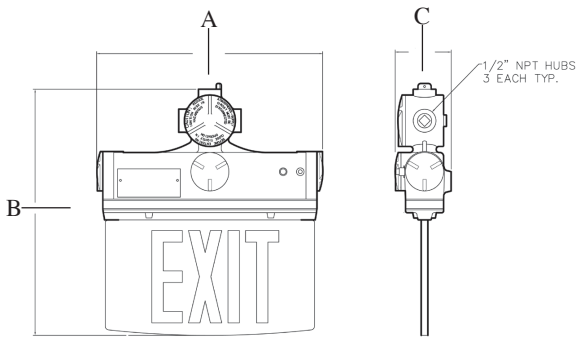
- Class I, Division 1, Groups C & D
- Class II, Division 1, Groups E, F & G
- Class III
- Class I, Zone 1, Groups IIA, IIB,
- Zone 2, Groups IIA, IIB + H2 & IIC
- UL 844, 8750 & UL924
- UL 1598A Marine Outside Type
- Temperature Class (T-Rating)-T6
- Patent No. 7,287,347
- IP65

OPERATING TEMPERATURE RANGE

- Temperature Rating - T6 Red Legend
- +10°C Minimum to +55°C Maximum GreenLegend
- +10°C Minimum to +40°C Maximum



DIMENSIONS



XPEX SERIES	Dimensions (inches)			Boxed Weight	Shipping Volume (Boxed Fixtures)
	A	B	C		
XPEX LED Exit Sign/Light	14.88	3.69	16.00	14 lbs.	1.24 cu. ft.

MAXIMUM INPUT POWER

- Red no battery - 1.5 Watts
- Red with battery - 2.5 Watts
- Green no battery - 2.3 Watts
- Green with battery - 3.0 Watts

ORDERING INFORMATION

Series	No. of Faces	Legend Color	Voltage/Frequency	Mounting	Options
XPEX Explosion Proof LED Exit Light	1 = Single	R = Red	DT = 120/277V 60HZ	WP = Wall/ Pendant	EM = Emergency Battery Backup
Class I, Division 1, Groups C, & D	2 = Double	G = Green	24 = 220-240V 50/60HZ	Mounting	EU = Green Running Man Exit Legend
Class II, Division 1 & 2, Groups E, F & G			Other voltages available	EB = End Bracket	SD = Self Diagnostics
Class III			- consult factory		X = Exit Legend in Other Languages
Class I, Zone 1, Groups IIA, IIB, Zone 2, Groups IIA, IIB + H2 & IIC					Language Must Be Specified
Marine Outside Type					
UL 1598A, 8750, 844 & 924					
IP65					
Temperature Class (T-Rating)-T6					

EXAMPLE: XPEX-1-R-DT-WP-EM