



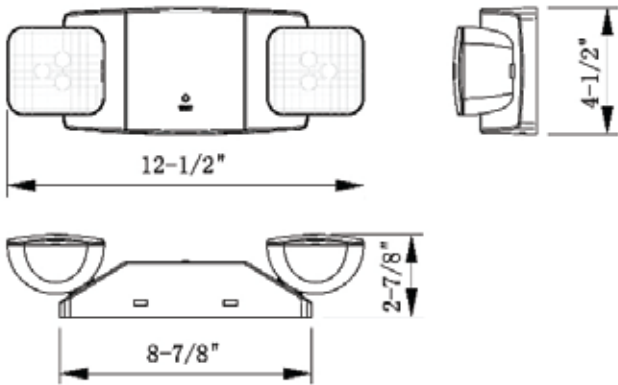
M2D SERIES- LED EMERGENCY LIGHT



PROJECT: _____
 FIXTURE TYPE: _____
 LOCATION: _____
 CONTACT/PHONE: _____



DIMENSIONS



MOUNTING

- Suitable for wall mount and ceiling mount.
- Top knockout for conduit applications.

LAMP HEADS

- Standard model LED lamp head DC 3.6V, 1W, delivers 240lm from whole unit, CCT 5700K.

ELECTRICAL

- 120-277VAC universal voltage, 50/60Hz.
- Charge 24hours, discharge 100 minutes.
- Brownout protection for universal voltage input model.
- Trickle charge after battery fully charge.
- Overload/Short Circuit Protection.
- Test Switch / Charge Indicator light.

HOUSING CONSTRUCTION

- All components are injection molded, color stable, and have high impact material.
- Polymeric enclosure contains electronic parts and has 5VA flammability rating.
- Black color optional.
- Friendly configuration design for quick installation.
- Fixture can be ceiling, wall mounted.
- Universal J-box mounting pattern.

BATTERY

- Ni-cad battery for Standard model.

CODE COMPLIANCE

- UL and cUL listed and meets or exceeds all requirements in NFPA 70, NFPA 101 life safety code, suitable for U.S.A and Canada market.
- Suitable for 10°C-40°C ambient temperature, suitable for damp location.

ORDERING INFORMATION

Ordering Example: M2D-W

SERIES	INPUT VOLTAGE	HOUSING COLOR
M2	D = Dual voltage input (120/277VAC)	W = White B = Black