



# HLRHLED16

LED Hazardous Location Remote Head



PROJECT: \_\_\_\_\_  
 FIXTURE TYPE: \_\_\_\_\_  
 LOCATION: \_\_\_\_\_  
 CONTACT/PHONE: \_\_\_\_\_



## ELECTRICAL

- Powered from low voltage 6V/12V DC power source with low voltage wiring (not provided).

## ILLUMINATION

- Two fully adjustable, ultra bright 3.3 watt high performance MR-16 base LED lamp heads for optimized center-to-center spacing.

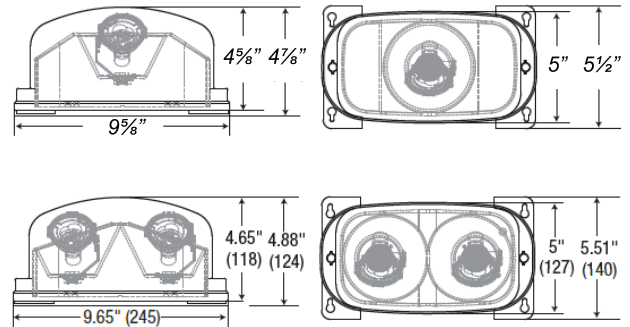
## MOUNTING

- Die-cast mounting brackets provided for surface wall-mount installation.
- Distance of maximum run is determined by system voltage, wire gauge and total maximum wattage on the run.

## HOUSING

- Housing is fiberglass reinforced construction in gray finish.
- Corrosion-resistant enclosure with one piece, high-impact resistant, UV stabilized polycarbonate lens and molded gasket with stainless steel screws.

## DIMENSIONS



## OPTIONS

- TP: Tamper-proof hardware helps discourage unauthorized access to the unit.

## WARRANTY

- Five year warranty.
- UL listed with approved Best Lighting Products.
- IP66 rated for Ingress protection.
- Meets UL924, NFPA 101 Life Safety Code, NEC, OSHA, Local and State Codes.
- Rated for Class 1, Division 2, Groups A, B, C, and D.



## ORDERING INFORMATION

Model	Heads	Housing Color	Options
HLRHLED16	1 = Single	G = Gray	TP = Tamper-Proof
	2 = Double		

EXAMPLE: HLRHLED161G