

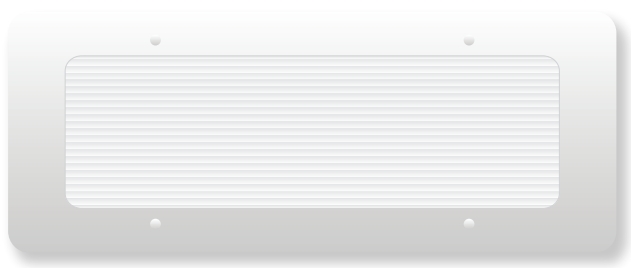


EFP Series Dual Function Emergency & Security Light

LED Outdoor Egress Emergency with Night Lighting Option



PROJECT: _____
 FIXTURE TYPE: _____
 LOCATION: _____
 CONTACT/PHONE: _____



DESCRIPTION

A low profile and powerful LED recessed fixture for Mounting up to 4 ft from floor level. Dual function operation in either emergency or AC-only.

CONSTRUCTION

- Faceplate from solid machined aluminum, available with brushed finish or a variety of satin enamel paint colors.
- Steel housing with bracket mount locations and multiple knockouts for wiring connection.
- Composite outdoor rated gasket seal for wet location operations.
- UV stabilized polycarbonate or acrylic diffuser window 1/8" thick delivers wide beam output.
- Modular faceplate and lamp housing removes to allow easy access for service.

ELECTRONICS

- 10 watts total system power.
- Standard minimum operating temperature -40°C.
- LED color temperature standard 5300K; available color temperatures from 2900K, 3200K, to 3800K.
- An advanced LED driver module is incorporated in the fixture, allowing dual operation from either a battery or normally on power source.
- Lamps are connected in parallel-series strings, as required to meet requirements of NEC and Life Safety Codes. Lighting continues even after failure of one lamp or circuit.

ENERGY EFFICIENT OPERATION

- Dual function operation for optional night or security lighting as well as emergency lighting.
- Very low power consumption compared to any fluorescent or incandescent lighting systems.
- Over 50,000 hour lamp life in normal use.

CODES

- Manufactured and tested to UL Standard 924 and NFPA Life Safety Code 101.

WARRANTY

- 5 year total customer satisfaction warranty. For details see product catalog technical data section.



ORDERING INFORMATION

Model	Operation	Emergency/Security Power Rating	Face Plate	Options
EFP	BB= Battery Backup	10 = 10 Watts	A= Aluminum	DG= Self- Test Diagnostics (BB Models Only)
	AC= AC Supply 120/277V	Emergency Power Rating (EPR): 10 WATTS Security Power Rating (SPR): 7 WATTS	K= Black W= Satin White X= Custom	LV= Louvered Face SB120= Security Lighting with Control Switch for Standard BB Operation (120V) SD277= Security Lighting with Control Switch for Standard BB Operation (277V) SD= Security Lighting with Control Switch for BB Operation with DG option (120/ 277V) CW1= Custom Window Filter- 3800K CW2= Custom Window Filter- 3200K CW3= Custom Window Filter- 2900K DAC= Dual AC Input

*Models with battery backup and the SW option may operate in low power Security Lighting mode when connected to the active building AC supply and wired according to Installation Instructions. The security lighting circuit is independent of emergency lighting and may be switched manually, by an exterior photocell, or other automatic means.

Ordering Example: EFP-BB-10W-LV



EFP Series Dual Function Emergency & Security Light

LED Outdoor Egress Emergency with Night Lighting Option



PROJECT: _____
 FIXTURE TYPE: _____
 LOCATION: _____
 CONTACT/PHONE: _____

SUGGESTED SPECIFICATIONS

Install EFP Series Floor Proximity LED emergency lighting fixture manufactured by Mule Lighting, Inc. Upon loss of AC building power, emergency models shall operate for a minimum of 90 minutes under battery power, in compliance with UL 924 and NFPA LSC Code 101. The unit may be specified to operate normally on for security or night lighting, as required.

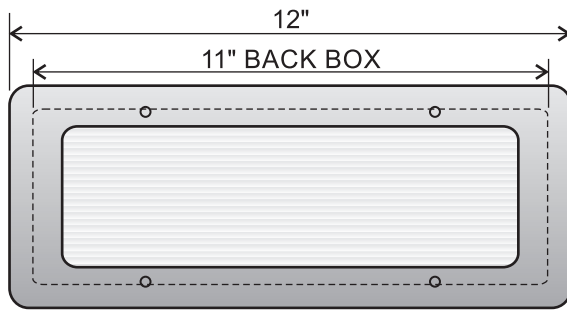
SPACING GUIDE

Model	Mtg. Ht.	Average Illuminance 1 Fc
		SPACING ON CENTER Path of Egress Width 6 Ft.
Standard	1 1/2'	20'
Louvered Face	1 1/2'	15'

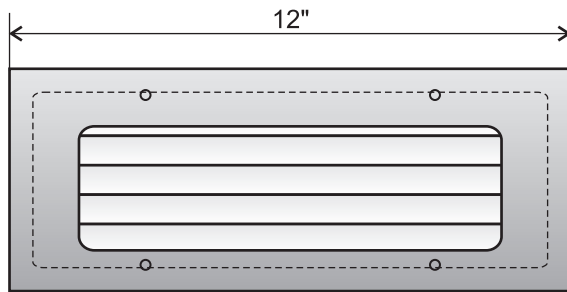
NOTE: TESTED IN ACCORDANCE WITH IES STANDARD LM-79-08 FOR SOLID STATE LIGHTING PRODUCTS. FOR REFERENCE ONLY. STANDARD REFLECTANCES 80/50/20. MULE LIGHTING IS NOT RESPONSIBLE FOR SPECIFIC CONDITIONS THAT MAY ALTER THE RESULTS. COMPLETE IES PHOTOMETRIC DATA AVAILABLE AT: WWW.MULELIGHTING.COM

CONTACT MULE LIGHTING FOR LAYOUT ASSISTANCE
Code Compliant Emergency lighting layouts provided free of charge!

MOUNTING & DATA DIMENSIONS



**OPEN FACE
BRUSHED ALUMINUM**



**LOUVERED FACE
BRUSHED STAINLESS NICKEL**

