

INSTALLATION AND OPERATING INSTRUCTIONS

IMPORTANT SAFEGUARDS!!! SAVE THESE INSTRUCTIONS!!!

READ AND FOLLOW ALL SAFETY INSTRUCTIONS

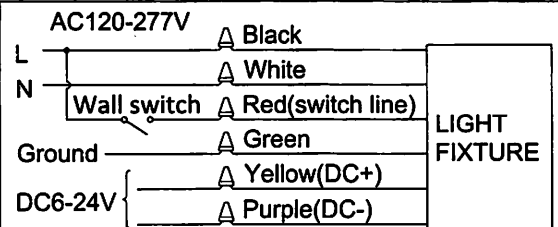
When using electrical equipment, basic safety precautions should always be followed including the following:

- **DISCONNECT AC POWER SUPPLY BEFORE SERVICING.**
- Installation and servicing of this equipment should be performed by qualified service personnel only.
- Ensure that the electrical wiring conforms to the National Electrical Code NEC® and local regulations, if applicable.
- Do not mount near gas or electrical heaters.
- Do not let power supply cords touch hot surfaces.
- Equipment should be mounted in locations and at heights where it will not be readily subjected to tampering by unauthorized personnel.
- The use of accessory equipment not recommended by the manufacturer may cause an unsafe condition.
- Any modification or use of non-original components will void the warranty and product liability.
- Do not use this equipment for other than intended use.

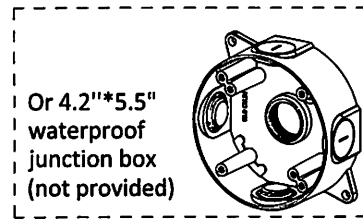
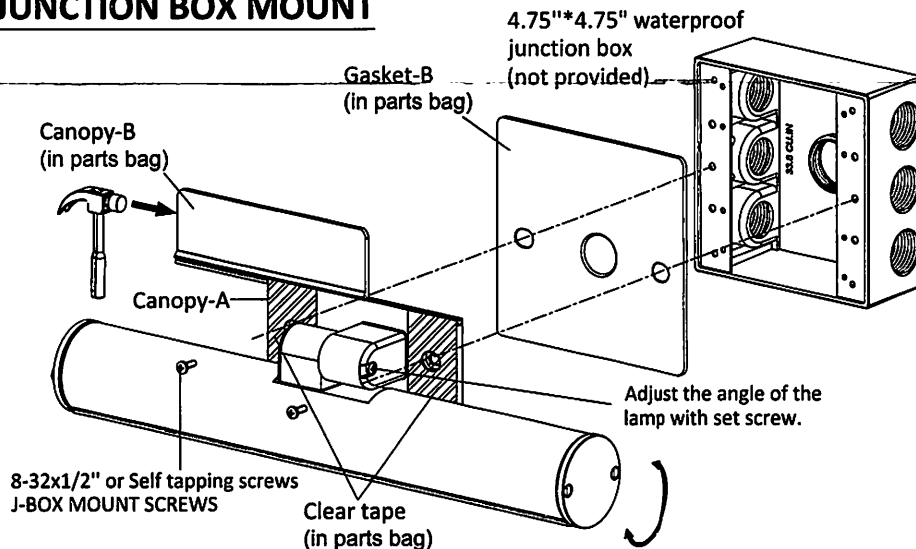
SAVE THESE INSTRUCTIONS!

Wiring diagram for AC / DC models (With wall switch)

Connect the black wire to 120-277Vac, white wire to the neutral. Connect the red wire to one contact of the wall switch and from the other contact connect it to the black wire as shown below. 6-24Vdc will be connected to UL certified emergency power source

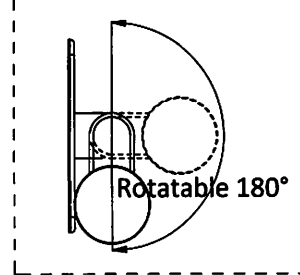
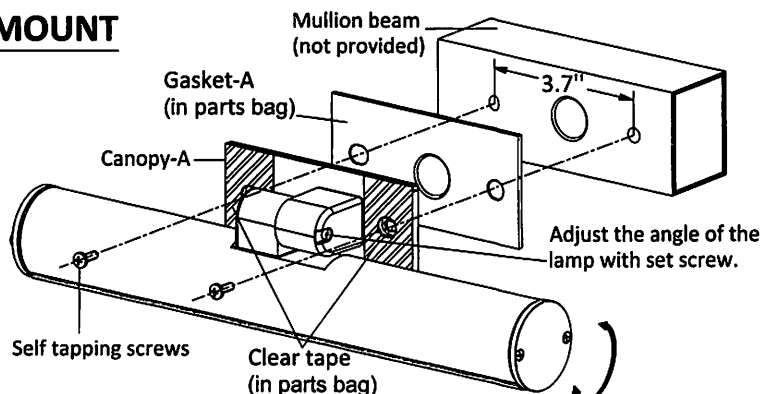


JUNCTION BOX MOUNT



Notice: The self tapping screws are mounted on the aluminum mullion beam and some square J-boxes which don't have screw holes. Please use this clear tape to cover the screw hole after installation to prevent water penetration.

MULLION MOUNT



Notice: The self tapping screws are mounted on the aluminum mullion beam and some square J-boxes which don't have screw holes. Please use this clear tape to cover the screw hole after installation to prevent water penetration.