



CY-UDC SERIES

AC/DC Dual Mode Outdoor Emergency Light - Mullion Mount



PROJECT: _____
 FIXTURE TYPE: _____
 LOCATION: _____
 CONTACT/PHONE: _____



TECHNICAL SPECIFICATION

AC mode normal supply	120-277V AC 60Hz
DC backup mode supply	6-24V DC
Power consumption at AC only	Max 10W
Operation	AC only mode (wall switch with AC general lighting) DC only mode (DC 6-24V input using model RPS07 ordered separately) AC/DC mode (Both general lighting and extra DC 6-24V backup using model RPS07 ordered separately)
Mounting	Surface for WALL and TOP mount
LED source	CRI 80+, CCT 5000K 5SDCM
Lumens	1000lm@AC mode, 900lm@ DC mode
Housing material	Aluminum extrusion with UV resistant powder coating
Ingress Protection	IP66
IK Rating	IK10
Ambient temperature range	-30°C~50°C
Certification	UL/CUL listed, suitable for wet location
Warranty	5 Years

MAIN ADVANTAGES

- Wet location and IP66 Rated
- Lamp head can be adjusted from 0-180 degrees and can be fixed at any angle
- Operating temperature -30°C~50°C for UDC mode.
- Power LED with special lens offer over-the-door lighting with full cut-off distribution
- 2" Height canopy for mullion beam and 5" height canopy for junction box included

RPS07 OPTION (ORDER SEPARATELY)



ORDERING INFORMATION

Model	Housing Color	Options
CY-UDC	DB = Dark Bronze	RPS07 = Remote Emergency
	NK = Nickel	Power Supply (Order Separately)
	W = White	
	B = Black	

Ordering Example: CY-UDC-DB



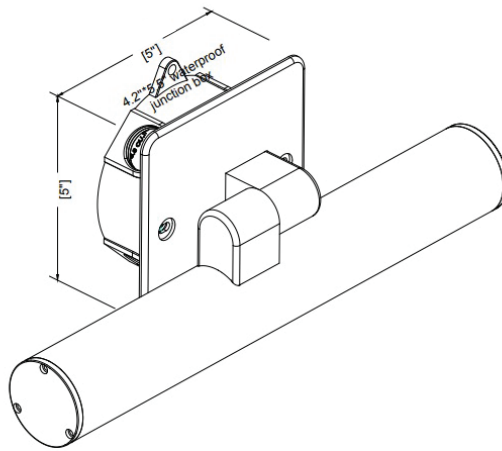
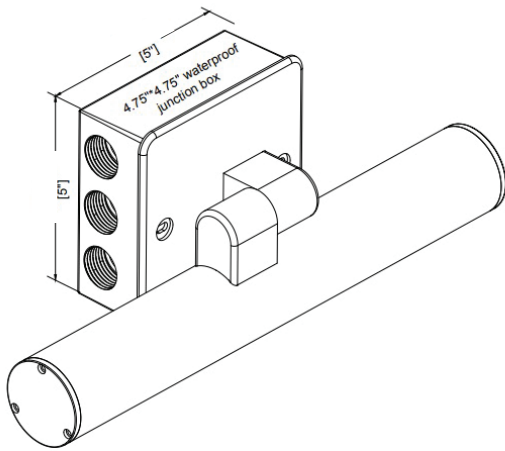
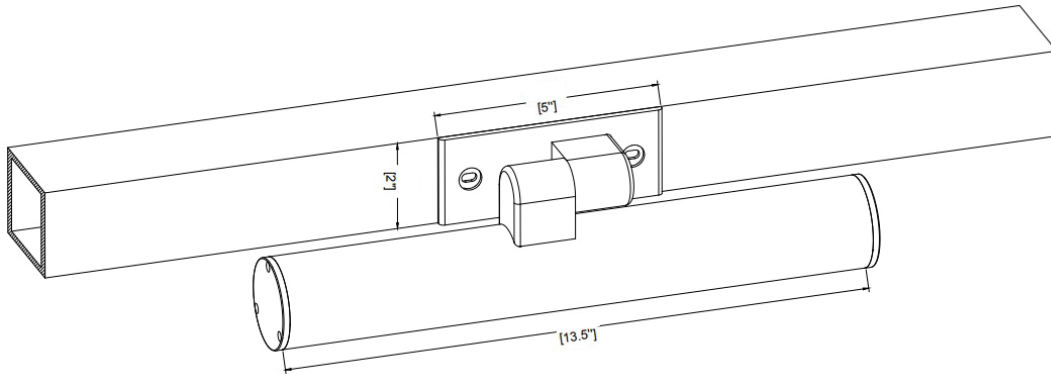
CY-UDC SERIES

AC/DC Dual Mode Outdoor Emergency Light - Mullion Mount

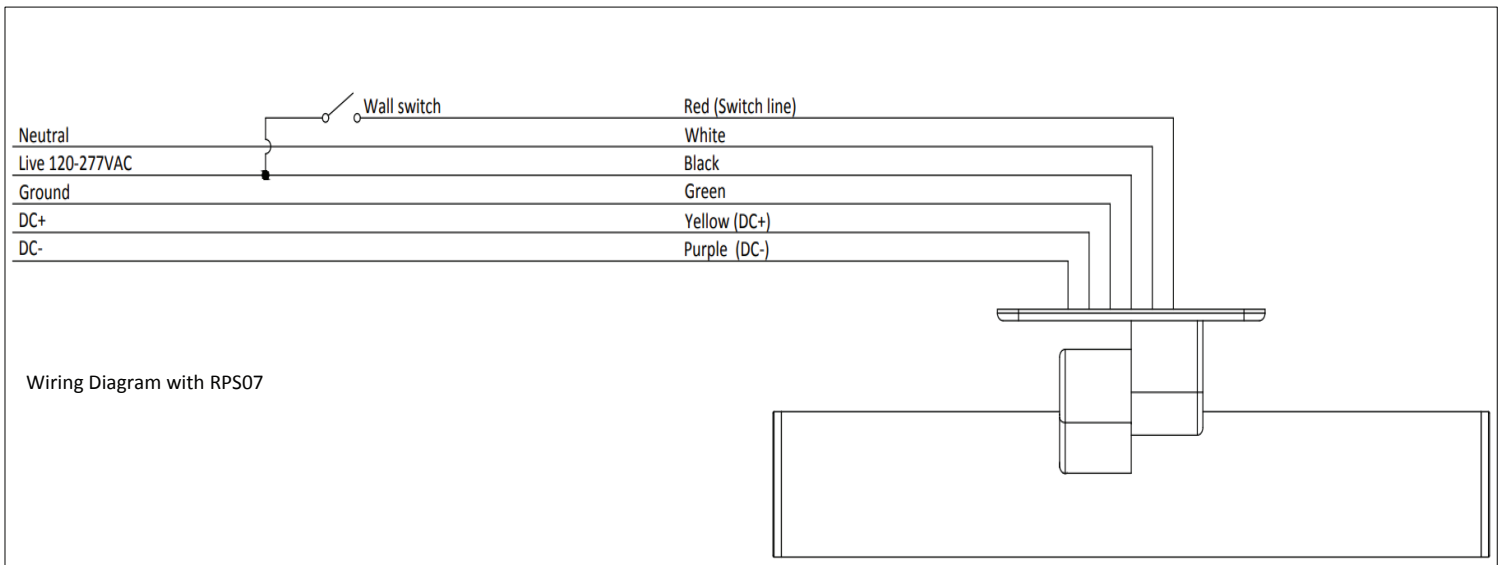


PROJECT: _____
 FIXTURE TYPE: _____
 LOCATION: _____
 CONTACT/PHONE: _____

DIMENSIONS



WIRING DIAGRAM





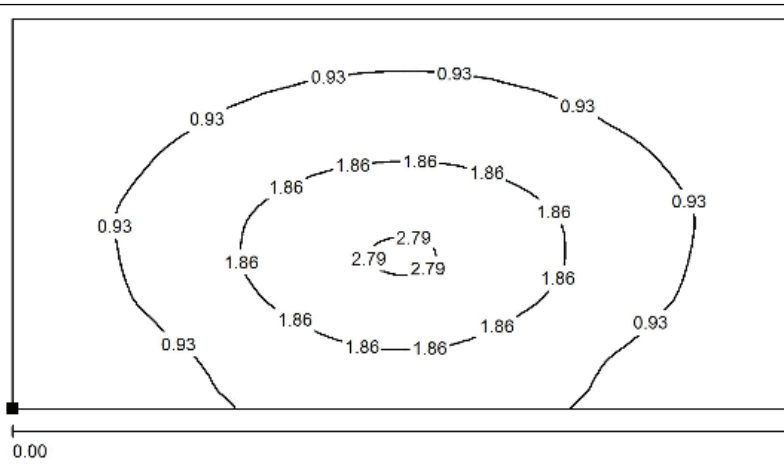
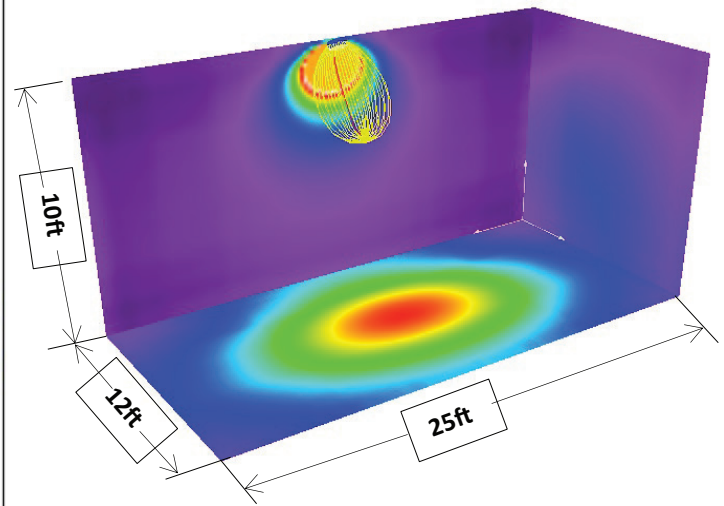
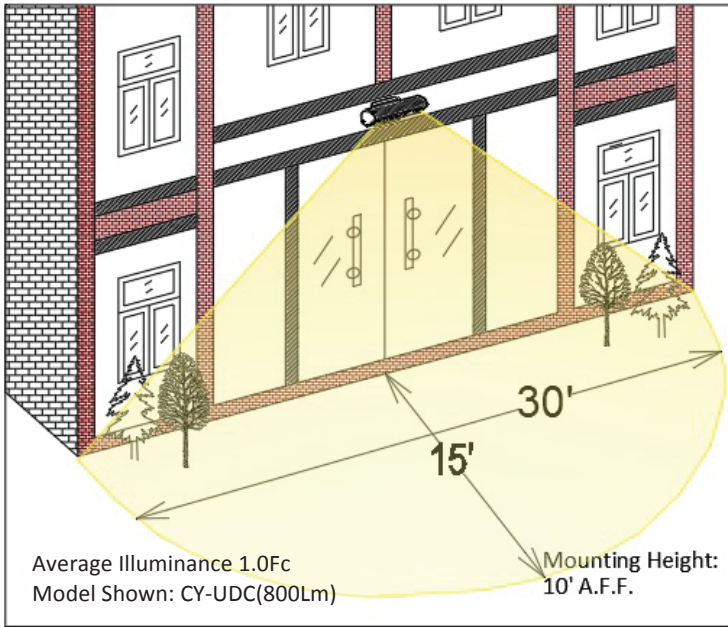
CY-UDC SERIES

AC/DC Dual Mode Outdoor Emergency Light - Mullion Mount



PROJECT: _____
 FIXTURE TYPE: _____
 LOCATION: _____
 CONTACT/PHONE: _____

SINGLE UNIT FOR DOOR FORWARD PERFORMANCE



Position of surface in room:
 Marked point: (0.000 ft, 0.000 ft, 0.000 ft)



Values in Footcandles, Scale 1 : 66

Grid: 128 x 64 Points

E_{av} [fc]
1.16

E_{min} [fc]
0.40

E_{max} [fc]
2.85

u_0
0.345

E_{min} / E_{max}
0.141