

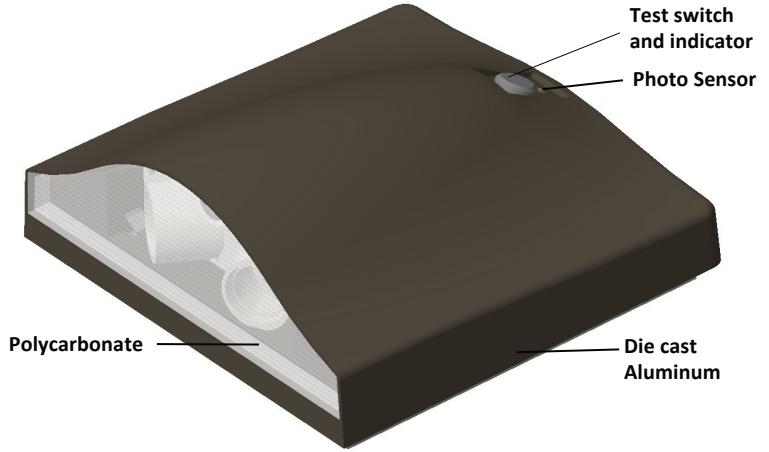


EDGE-ACEM SERIES

Architectural Outdoor Emergency



PROJECT: _____
 FIXTURE TYPE: _____
 LOCATION: _____
 CONTACT/PHONE: _____



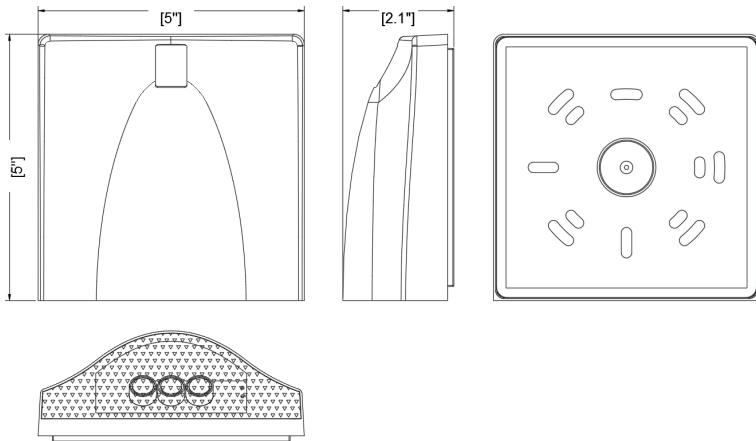
MAIN ADVANTAGES

- Ultra-compact design with outstanding performance
- Die cast aluminum with anti-UV coating
- Operation temperature 5°C~50°C
- Full cutoff light distribution
- Easy installation

TECHNICAL SPECIFICATION

Power Supply	120-277V 60Hz
Power consumption	9 Watts
Charge / discharge time	24h charge, 90 Minutes Min. discharge
Operation	ACEM (general lighting with photo sensor and self test emergency backup)
Mounting	Wall mount with back power lead
LED source	CRI 80+, 5000K, 5SDCM
Lumens	AC mode- 700 lumens, Emergency mode- 270 lumens
Housing material	Die cast aluminum powder coating
Ingress Protection	IP65
IK Rating	IK08
Ambient temperature range	0°C~50°C
Certification	UL
Warranty	5 Years

DIMENSIONS



MODEL LIST

No.	Model List	Input Voltage	Lumen Output	Battery
1	EDGE-ACEM	120-277V	650lm@ AC 250lm@EM	LiFePO ₄ 3.2V1500mah 1pc

ORDERING INFORMATION

Model	Operation	Housing Color
EDGE	ACEM	DB = Dark Bronze NK = Nickel W = White B = Black

Ordering Example: EDGE-ACEM-DB



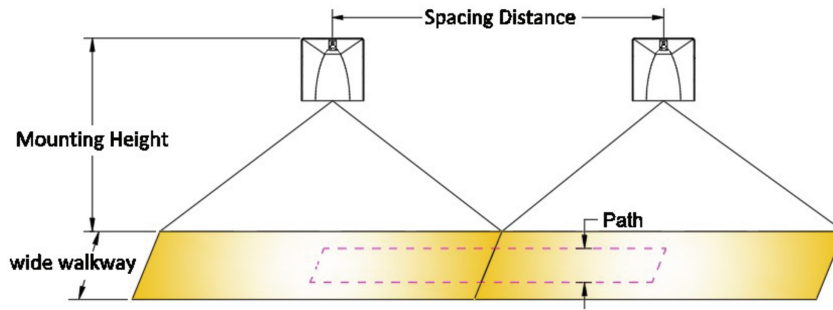
EDGE-ACEM SERIES

Architectural Outdoor Emergency



PROJECT: _____
 FIXTURE TYPE: _____
 LOCATION: _____
 CONTACT/PHONE: _____

CENTER TO CENTER SPACING DISTANCE



NFPA 101 requires 1.0 foot-candle average and 0.1 foot-candle minimum with a 40:1 maximum/minimum ratio. The corridor used is 80 feet long, 9 feet ceiling with a 6 feet wide walkway and 6&3 feet path of egress. The reflectance are 80% ceiling, 50% walls and 20% floors. The fixture mounting height is 7.5 feet.

	7.5ft height	7.5ft height	10ft height	10ft height
	3ft width path	6ft width path	3ft width path	6ft width path
EDGE-ACEM	30ft	28.5ft	24ft	23ft

FUNCTION

1. For photo sensor mode ,when ambient luminance < 10 Lux, fixture will turn on automatically. when ambient luminance >30 Lux, fixture will turn off.
2. For wall switch mode, connect SL to wall switch.

