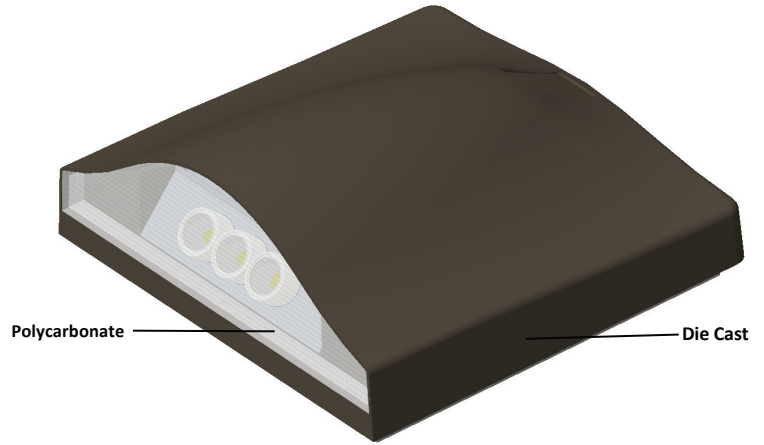




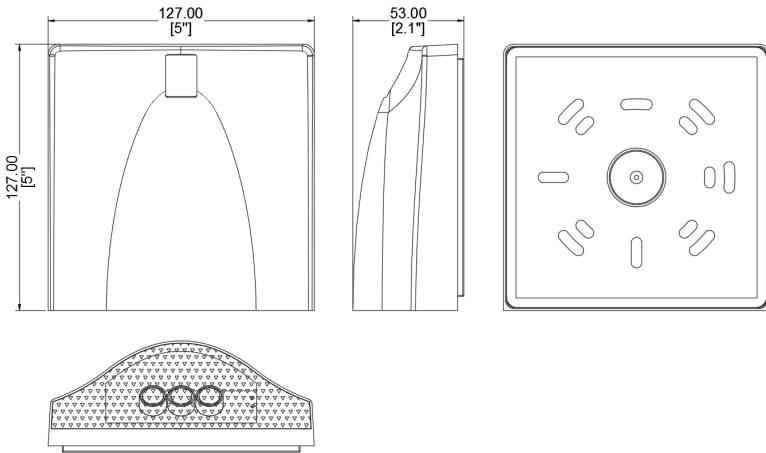
EDGE-RMT SERIES



PROJECT: _____
 FIXTURE TYPE: _____
 LOCATION: _____
 CONTACT/PHONE: _____



DIMENSIONS



MAIN ADVANTAGES

- Architecturally pleasing
- Die cast aluminum with anti-UV coating
- Operation temp. -30°C~50°C
- Full cutoff distribution light design
- Easy installation

TECHNICAL SPECIFICATION

Input	3-12VDC input
Power	3 Watts
Mounting	Wall Mount
Lumens	300
Housing Material	Die cast aluminum with UV resistant powder coating
Ingress Protection	IP65
IK Rating	IK08
Ambient Temp Range	-30°C~50°C
Warranty	5 Years



ORDERING INFORMATION

Model	Housing Color
EDGE-RMT	DB = Dark Bronze
	NK = Nickel
	W = White
	B = Black

Ordering Example: EDGE-RMT-DB

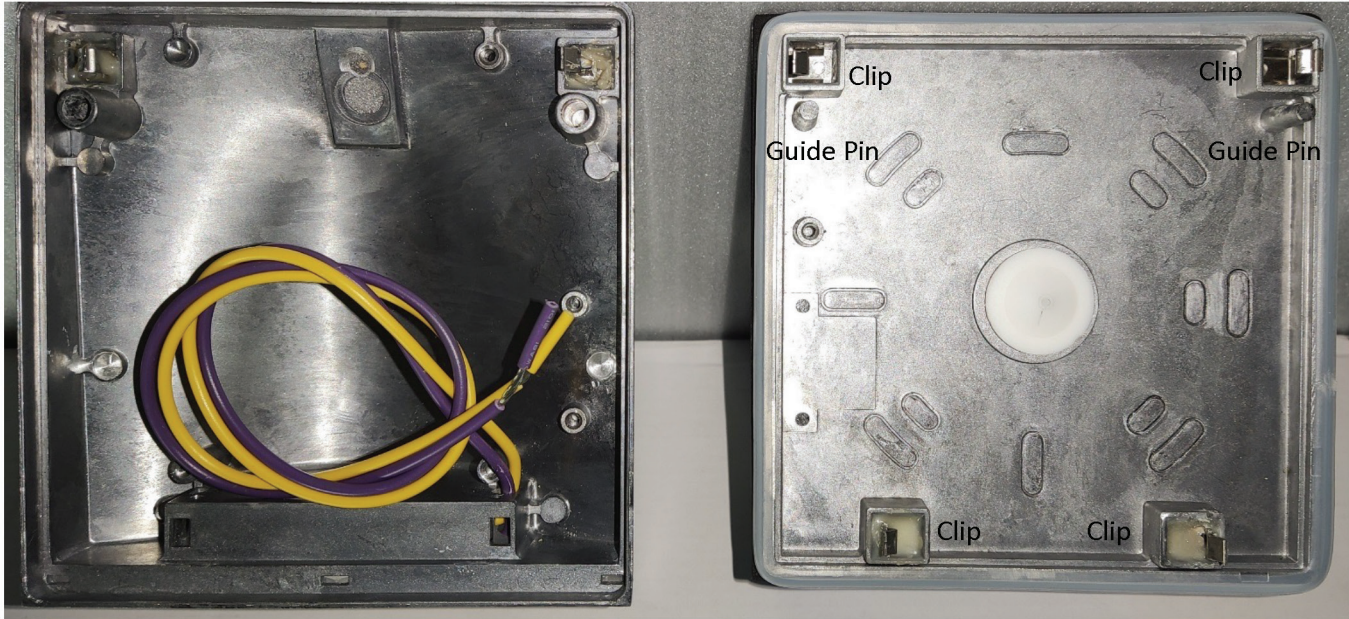


EDGE-RMT SERIES

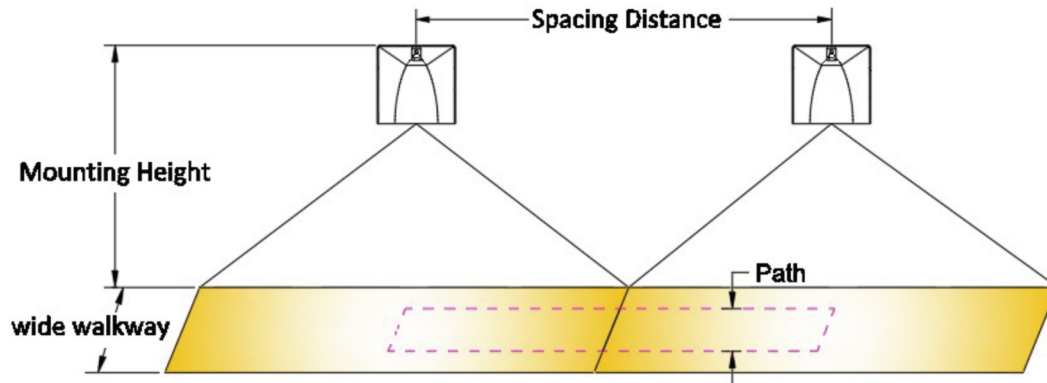


PROJECT: _____
 FIXTURE TYPE: _____
 LOCATION: _____
 CONTACT/PHONE: _____

FUNCTION



CENTER TO CENTER SPACING



NFPA 101 requires 1.0 foot-candle average and 0.1 foot-candle minimum with a 40:1 maximum/minimum ratio. The corridor used is 80 feet long, 9 feet ceiling with a 6 feet wide walkway and 6&3 feet path of egress. The reflectance are 80% ceiling, 50% walls and 20% floors. The fixture mounting height is 7.5 feet.

	7.5ft height	7.5ft height	10ft height	10ft height
	3ft width path	6ft width path	3ft width path	6ft width path
EDGE-RMT	30ft	28.5ft	24ft	23ft