



The U-PVT Series

UNIVERSAL RED/GREEN SWITCHABLE LED EDGE-LIT EXIT SIGN



PROJECT: _____
 FIXTURE TYPE: _____
 LOCATION: _____
 CONTACT/PHONE: _____



FEATURES

- Pivoting design for simple installation in any application, including wall, ceiling, sloped ceiling or recessed mounting
- Suitable for installation in existing drywall applications
- Includes both single and double face panel configurations.
- Includes surface mounting canopy as well as bracket for recessed mounting applications
- Extruded aluminum housing with high-grade, acrylic panel
- Compact, low-profile snap-in design for ease of maintenance
- Maintenance-free NiCad battery or AC only configurations
- Mirror panel supplied as a standard on all double-faced signs
- UL 924 Listed 90 minute emergency run time, 24 hour recharge time
- Low-voltage disconnect eliminates deep discharge
- Constant, uniform illumination by long-life, high-intensity, red or green LEDs. Field switchable Red/Green
- Fully-illuminated 6" characters with 3/4" stroke
- Field selectable directional chevrons included for all configurations
- 120/277VAC Dual primary, 60Hz input
- Standard finishes: Brushed Aluminum or White
- Suitable for Damp Location
- CEC Title 20 Compliant

PRODUCT DESCRIPTION

The Mule U-PVT Series LED Edge-lit Exit features a pivoting design for simple installation in any application, including surface and recessed wall, ceiling and sloped ceilings. Includes surface mounting canopy as well as hardware for recessed mounting applications, making this the most versatile Edge-lit sign available. Provided with single and double face panels for easy ordering and stocking. Letter color is Red/Green switchable.

WARRANTY

Any component that fails due to a manufacturing defect is guaranteed for three years with a separate two year pro-rated warranty on the battery. The warranty does not cover physical damage, abuse or instances of uncontrollable natural forces. See the full Mule Lighting warranty document for detailed information.



ORDERING INFORMATION

Model	Operation	Housing Color
U-PVT	A = AC Only B = Battery Backup	BA = Brushed Aluminum W = White

Accessories ⁵ (Field Installed)
ER1-Kit = 1' Pendant Mount Kit
ER2-Kit = 2' Pendant Mount Kit
PVT-U-G-FP = Green Single Mirror Panel
PVT-U-R-FP = Red Single Mirror Panel
PVT-1-PENDANT-ADAPTER = Pendant Adapter

ORDERING EXAMPLE: U-PVT-B-BA



The U-PVT Series

UNIVERSAL RED/GREEN SWITCHABLE LED EDGE-LIT EXIT SIGN



PROJECT: _____
 FIXTURE TYPE: _____
 LOCATION: _____
 CONTACT/PHONE: _____

CONSTRUCTION

Housing

Available in either a Brushed Aluminum or White finish.

Surface Mounting

Engineering grade aluminum extrusion with mounting canopy.

Recessed Mounting

Extruded aluminum housing supplied with galvanized steel adjustable bar hanger assembly.

Panels

Constructed of clear acrylic. Stencil letters are 6" high with 3/4" stroke, with minimum of 100' viewing distance rating as required by UL 924 standard. Double face panels are supplied with a mirror insert. Units are supplied with field-selectable directional chevrons for placement in all applications.

Illumination

High output red or green LEDs provide superior brightness. Energy consumption of less than 3 Watts for AC only and less than 5 Watts for battery back-up units. LEDs are a maintenance-free solution, providing up to 100,000 hours of use without failure.

ELECTRICAL

Input

Dual-voltage input 120/277VAC at 60Hz.

Nickel Cadmium Battery – NiCad (With Battery Only)

Mule Lighting NiCad batteries are maintenance-free and offer high discharge rates while continuing to perform in a vast temperature range from 32°F to 104°F (0°C to 40°C).

Low Voltage Disconnect

When the battery's terminal voltage falls below predetermined levels, the low voltage circuit disconnects the emergency lighting load. The disconnect remains in effect until normal power is restored, preventing deep battery discharge and improving the life of the battery. The disconnect will also automatically reconnect the load circuit once the battery voltage returns to a normal value after charging.

Test Button

Test button is easy to locate and allows for manual verification of proper operation of the transfer circuit and emergency lamps.

INSTALLATION

Surface Mounting

Completely universal canopy provides for end or ceiling mounting. All hardware is included.

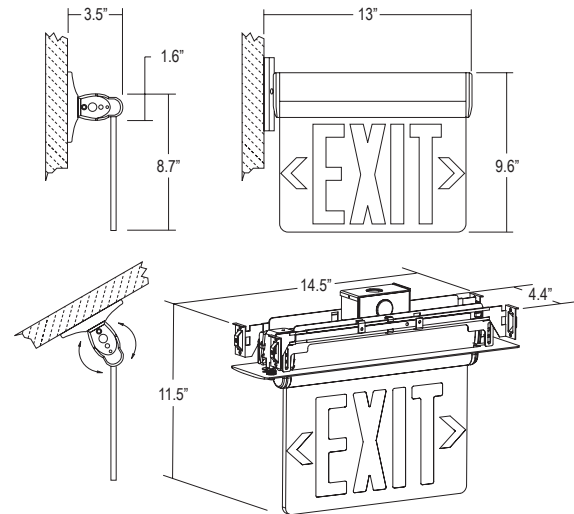
Recessed Mounting

Recessed ceiling mount, accessible above the plenum. Electronics and battery contained in housing. Plug-in battery connector supplied for easy installation. All hardware is included.

CONFORMANCE TO CODES AND STANDARDS

The U-PVT Series is damp location rated, UL 924 listed and meets or exceeds the following: NEC requirements and NFPA 101.

DIMENSIONS



PENDANT ADAPTER

