



# MXL Series

CLASS 1 & 2 DIVISION 1 & 2 LED REMOTE HEADS



PROJECT: \_\_\_\_\_  
 FIXTURE TYPE: \_\_\_\_\_  
 LOCATION: \_\_\_\_\_  
 CONTACT/PHONE: \_\_\_\_\_



Ceiling mount



Pendant mount



Wall mount



Double pendant mount

## DESCRIPTION

- MR16 LED light source
- Available as wall ceiling or pendant mount
- Heavy cast aluminum
- Pyrex® lenses<sup>1</sup>

## SPECIFICATIONS

### Finish

- Painted grey

### Mounting

- Surface mount: wall or ceiling
- Pendant mount: single head or double head
- Pendant mount including hazardous location elbows, swivels and conduit extension pipe (6" increments)
- Combination hazardous location junction box/mounting plate with 1/2" NPT conduit entry

### Approvals

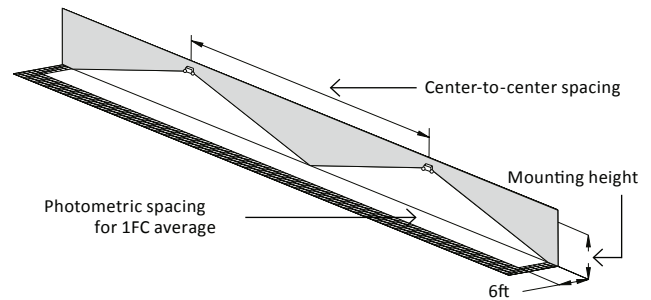
- CSA US (to UL 924 standards)
- Class I, Division 1&2, Groups C and D
- Class II, Division 1&2, Groups E, F and G
- Class III, Division 1&2, (150W max)
- Complies with NEC, OSHA and NEMA for above classes and groups
- Suitable for wet and damp location
- Temperature code T6

### Warranty

- Unit has a five-year limited warranty

## PHOTOMETRIC PERFORMANCE - WITH TWO LAMPS

Lamp	Spacing center-to-center (feet)	
	7' Mounting height	15' Mounting height
2 x LA	43'	29'
2 x LB	70'	39'
2 x LG	55'	36'
2 x LI	67'	41'
2 x LJ	87'	62'
2 x LL	56'	29'
2 x LV	58'	39'



## ORDERING INFORMATION

Series	Mounting	Number of Lamps	Lamp Type/Wattage
MXL= X-proof LED remote	C= Ceiling mount	2= 2 lamps per head	LA= 6V-4W, MR16 LED
	P= Pendant		LB= 6V-5W, MR16 LED
	W= Wall mount		LG= 12V-4W, MR16 LED
	D= Double pendant mount		LI= 12V-5W, MR16 LED
			LJ= 12V-6W, MR16 LED
			LL= 24V-4W, MR16 LED
			LV= 120V-4W, GU10 LED

Accessories on second page.

ORDERING EXAMPLE: MXL-C-2-LA-GXP





# MXL Series

CLASS 1 & 2 DIVISION 1 & 2 LED REMOTE HEADS

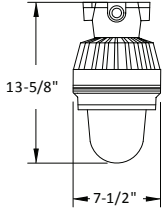


PROJECT: \_\_\_\_\_  
 FIXTURE TYPE: \_\_\_\_\_  
 LOCATION: \_\_\_\_\_  
 CONTACT/PHONE: \_\_\_\_\_

## DIMENSIONS

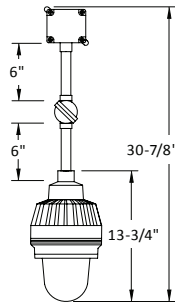
Dimensions are approximate and subject to change.

### Ceiling mount



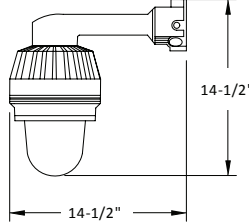
Ceiling mount 11 lbs.

### Pendant mount



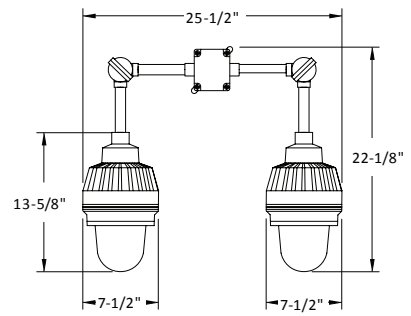
Pendant mount with hanger box & pendant 14 lbs.

### Wall mount



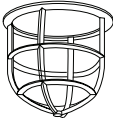
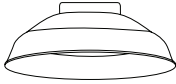

Wall bracket mount 14 lbs.

### Double pendant mount



Single 12 lbs.  
Double 21 lbs.  
Triple 30 lbs.

## STANDARD CONFIGURATIONS FOR MXL SERIES

Unit	Description	Suffix
	Guard One-piece aluminum casting construction, attaches to globe holder ring with four screws	GXP
	Dome Reflector Highly reflective white finish inside and out, attaches to globe holder ring with four screws	RD
	Angle Reflector Highly reflective white finish inside and out, attaches to globe holder ring with four screws	RA