

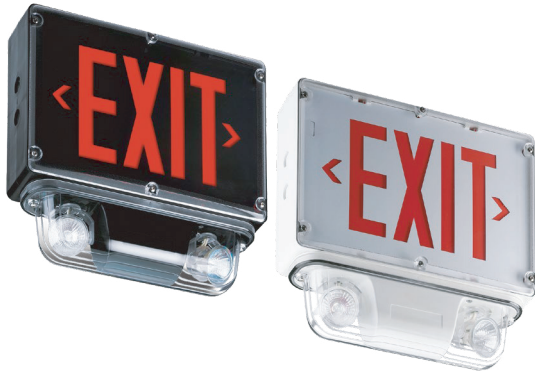


SVX-4X SERIES

NEMA 4X & NSF Rated Exit Sign with Emergency Lights



PROJECT: _____
 FIXTURE TYPE: _____
 LOCATION: _____
 CONTACT/PHONE: _____



CONSTRUCTION

- Full gasketed NEMA-4X housing
- Faceplate: heavy-duty, vandal-resistant polycarbonate
- Backplate: heavy-duty aluminum
- Heads protected by clear polycarbonate lens
- Comes with both Phillips head for NSF location and tamper-proof screws
- 6 inch EXIT lettering legend, available in red or green
- Field-selectable chevrons
- Choice of finishes: white, black or gray
 - Special wording: Available. Contact your sales representative with your design requirements

ELECTRONICS

- Magnetically operated test switch
- Standard Advanced Diagnostics (non-audible)
- Standard 15 minutes time delay
- Optional Nexus® monitoring system
- 120/277 60Hz

CHOICE OF BATTERY

- SVX12N model, nickel-cadmium battery, 6V-12W total battery capacity
- SVX24N model, nickel-cadmium battery, 12V-24W total battery capacity

APPROVALS

- UL 924 listed
- UL listed for wet and damp location (50°F to 104°F)
- UL listed for cold weather option (-40°C to +40°C/-40°F to +104°F)
- CSA-US listed for Nexus® option
- Meets NFPA101 (Life Safety Code), NFPA 70 NEC, OSHA illumination standards

WARRANTY

- Unit has a five-year limited warranty

HOUSING COLOR



White

Black

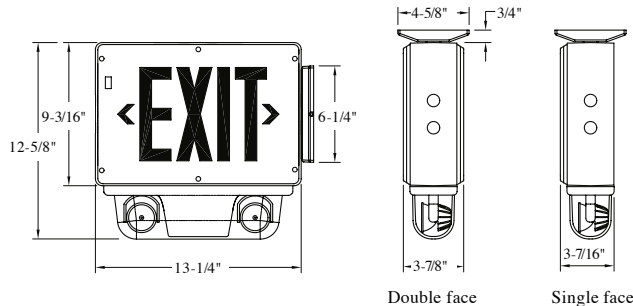
Brushed aluminum

Gray



DIMENSIONS

Dimensions are approximate and subject to change.



Double face

Single face

MOUNTING

- Surface mount
- Canopy included for end or ceiling mount applications
- Universal J-box mounting
- 1/2 inch conduit entry on top and sides

LAMP TYPE

- Choice of MR16 LED lamp wattages

ORDERING INFORMATION

Housing/Face Color	Series/Capacity	Faces	Legend Color	Diagnostics	Housing	# of Heads	Lamp type/wattage	Options
WW= White/white	SVX12N= 6V-12W	1= Single face	R= Red legend	-DA= Advanced Diagnostics (audible)	4X= Wet/damp locations	Blank= 0 heads ²	LA= 6V-4W, MR16 LED	Blank= No options
WB= White/black	SVX24N= 12V-24W	2= Doubleface	G= Green legend	-D= Advanced Diagnostics (non-audible)		2= Two heads	LB= 6V-5W, MR16 LED	CW4= Cold weather
WA= White/aluminum				-NEX= Nexus® wired			LG= 12V-4W, MR16 LED	(-40°F/-40°C) ³
BB= Black/black				(contact your sales representative) ¹			LJ= 12V-5W, MR16 LED	FA= Flasher
BW= Black/white				-NEXRF= NEXUS® wireless			LJ= 12V-6W, MR16 LED	(fire alarm activated)
BA= Black/aluminum				(contact your sales representative) ¹				FB= Flasher/buzzer
GA= Gray/aluminum								(AC power failure)
GW= Gray/white								FL= Flasher (AC power failure)
GB= Gray/black								-208V= 208VAC, 60Hz input

Accessories (order as separate item)

Description	Part Number
Additional special bit for tamper-proof screws	690.0454-E
Additional test magnet	199.0133-E

-240V= 240VAC, 60Hz input
-208V50HZ= 208VAC, 50Hz input
-CM= Canopy pendant mount

¹CSA US approved only, consult your sales representative

²Minimum load required: 20% of load capacity

³Single face only

Ordering Example: WWSVX12N1RD4X2LGCW4



SVX-4X SERIES
NEMA 4X & NSF Rated Exit Sign with Emergency Lights



PROJECT: _____
 FIXTURE TYPE: _____
 LOCATION: _____
 CONTACT/PHONE: _____

UNIT RATING

Sealed maintenance-free battery types	Battery capacity in watts			
	1-1/2 hrs	2 hrs	3 hrs	4 hrs
Nickel-cadmium	12	9	-	-
	24	18	12	9

POWER CONSUMPTION

Model	AC specs	DC specs (90 minutes)		
SVX12N	120/277VAC 0.12/0.06A 13W	6V	12W	
SVX24N	120/277VAC 0.17/0.08A 19W	12V	24W	

PHOTOMETRIC PERFORMANCE

Lamp	Spacing center-to-center (feet)	
	7' mounting height	15' mounting height
LA	39'	34'
LB	74'	57'
LG	49'	39'
LI	68'	54'
LJ	89'	80'

Housing color

