

# *U-MD DIE CAST LED EXIT SIGN*

## **INSTALLATION & OPERATION INSTRUCTIONS**

### **IMPORTANT SAFEGUARDS**

1. READ AND FOLLOW ALL SAFETY INSTRUCTIONS.
2. All electrical connections must be in accordance with local codes, ordinances, and the National Electric code. If you are unfamiliar with methods of installing electrical wiring, secure the services of a qualified licensed electrical.
3. Before starting the installation, disconnect the power by turning off the circuit breaker or by removing the appropriate fuse at the fuse box. Turning the power off using the light switch is not sufficient to prevent electrical shock.
4. Do not use outdoors.
5. Do not let power supply cords touch hot surfaces.
6. Do not mount near gas or electric heaters.
7. Use caution when servicing batteries. Battery acid can cause burns to skin and eyes. If acid is spilled on skin or in eyes, flush acid with fresh water and contact a physician immediately.
8. Equipment should be mounted in location and at heights where it will not readily be subject to tampering by unauthorized personnel.
9. The use of accessory equipment not recommended by the manufacturer may cause an unsafe condition.
10. Do not use this equipment for other than intended use.
11. All servicing should be performed by qualified personnel only.
12. Allow battery to charge for 24 hours before first use.

**SAVE THESE INSTRUCTIONS**

# ELECTRICAL CONNECTIONS

1. First turn off the AC power before making any electrical connections.
2. Connect battery to charge circuit board before connecting AC supply.

## Ceiling (see DIA.6) or Side mounting (see DIA. 7)

Single or Double Face

1. Open EXIT panel from the housing (see DIA. 1) and remove the hole plugs from the top (or side) of the housing, if necessary.
2. Change the color of sign if necessary, default color is red (see DIA. 3).
3. Change test function if necessary, default function is self-testing (see DIA. 4).
4. Remove the proper directional chevron(s) from the EXIT panel(s) carefully, if necessary (see DIA. 5).  
(CAUTION: Carefully remove the knock outs only otherwise it may cause damage on the surface).
5. FOR DOUBLE FACE
  - (1) Remove the back plate from the housing by removing housing screws (4pcs) at the corner of the Exit housing
  - (2) Then assemble the additional EXIT panel using the housing screws (4pcs) with the housing.  
(NOTE: The additional EXIT panel does not have any clips)
6. Secure canopy to the housing using hole numbers "2" and "3" on the canopy with provided canopy screws ((2) # 10-24 screws).
7. Feed AC supply leads through top (or side) hole on the housing and the crossbar, then make the proper supply lead connections. connect the black and white leads to the building utility .  
Be sure to snap battery connector on PCBA.
8. Push excess wires into junction box and align holes in canopy with those in crossbar. Using screws supplied, tighten canopy to crossbar so that canopy is securely fastened and tight against ceiling (or wall).
9. Snap EXIT panel into the housing, bottom firstly then top.

## Wall Mounting (see DIA. 8)

1. Open EXIT panel (See DIA.1) and remove the proper directional chevron(s) from the EXIT panel carefully, if necessary.  
(CAUTION: Carefully remove the knock outs only otherwise it may cause damage on the surface)
2. Change the color of sign if necessary, default color is red (see DIA. 3).
3. Change product function if necessary, default function is self-testing (see DIA. 4).
4. Remove the proper directional chevron(s) from the EXIT panel(s) carefully, if necessary (see DIA. 5).  
(CAUTION: Carefully remove the knock outs only otherwise it may cause damage on the surface).
5. Feed AC supply leads through back hole on the housing and the crossbar, then make the proper supply lead connections. connect the black and white leads to the building utility .  
Be sure to snap battery connector on PCBA.
6. Feed excess wires into junction box and secure back plate to junction box.
7. Snap EXIT panel into the housing, bottom firstly then top.

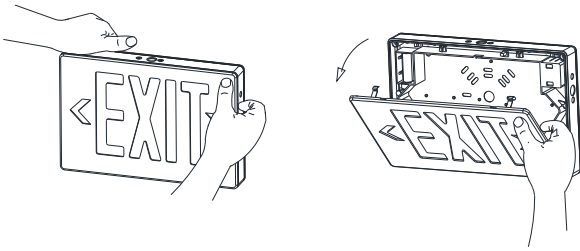
## Connecting Remote Heads (Option)

If fixture has remote capability which is 6V1.5W max.

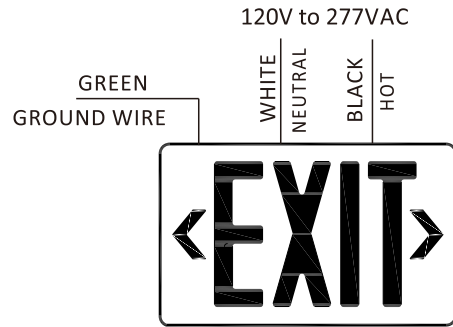
Connect remote head's wires to remote wires from fixture, yellow is positive(+), purple is negative(-), connect wires by wire nuts.

### OPENING EXIT PANEL - DIA. 1

Remove EXIT panel from the housing by pulling carefully at the top of the EXIT panel



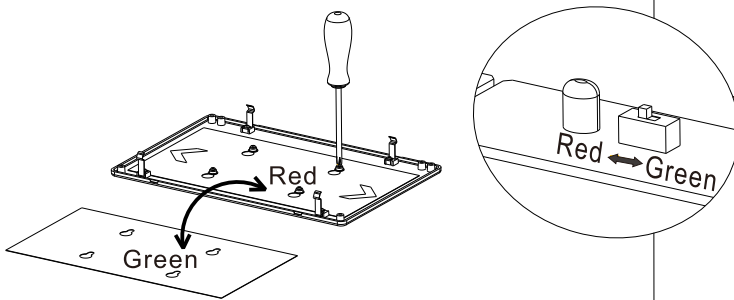
### WIRING - DIA. 2



### RED AND GREEN SIGN SELECTABLE - DIA.3

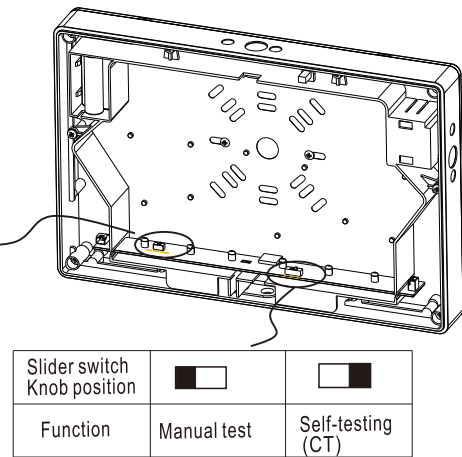
Default color of the sign is red, you can change it to green if needed.

1. Change red diffuser to green diffuser.
2. Slide the slider switch to another side.



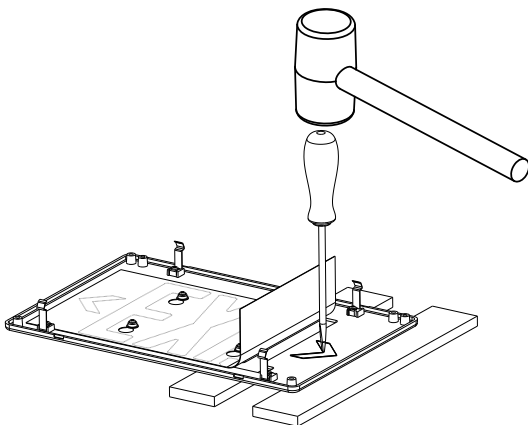
### SELF-TEST AND MANUAL TEST SWITCHABLE - DIA.4

Default function of the sign is Self-testing, switchable to manual test function if needed.



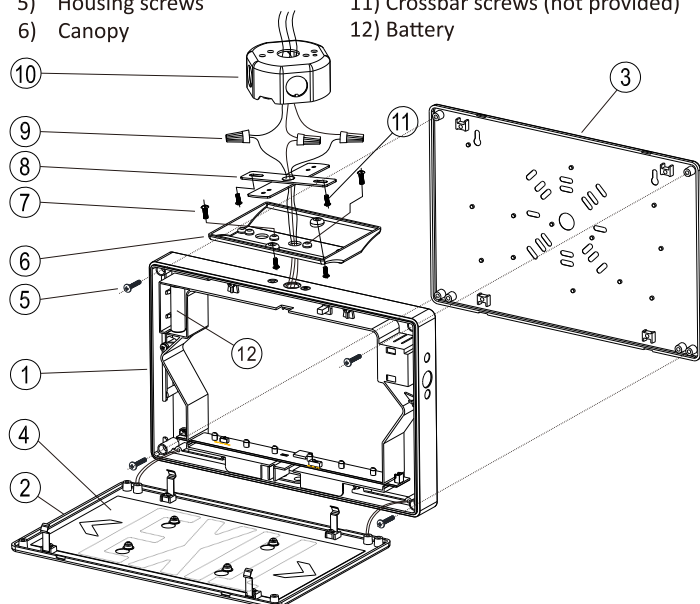
### CHEVRON KNOCKOUT - DIA. 5

1. Choose which side of chevron need to be removed. lift partially the diffuser.
2. Take an appropriate cushion back of the face plate, knock out the chevron gently. Then restore the diffuser.



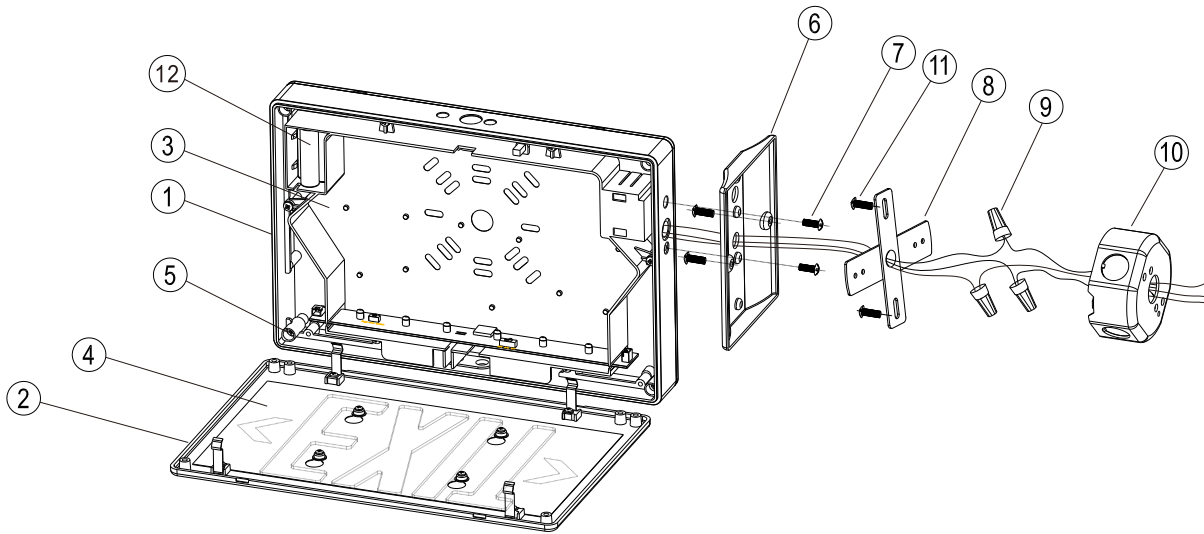
### CEILING MOUNTING - DIA. 6

- 1) Housing
- 2) EXIT panel
- 3) Back plate
- 4) Red or Green diffuser
- 5) Housing screws
- 6) Canopy
- 7) Canopy screws
- 8) Crossbar
- 9) Wire nuts
- 10) Junction box (Building utility)
- 11) Crossbar screws (not provided)
- 12) Battery



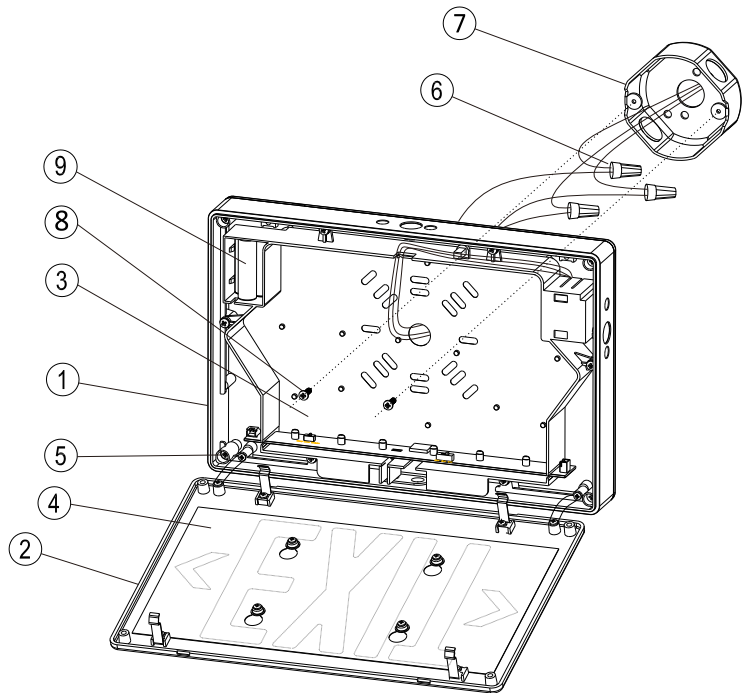
**SIDE MOUNTING - DIA.7**

- 1) Housing
- 2) EXIT panel
- 3) Back plate
- 4) Red or Green diffuser
- 5) Housing screws
- 6) Canopy
- 7) Canopy screws
- 8) Crossbar
- 9) Wire nuts
- 10) Junction box (Building utility)
- 11) Crossbar screws (not provided)
- 12) Battery



**WALL MOUNTING - DIA. 8**

- 1) Housing
- 2) EXIT panel
- 3) Back plate
- 4) Red or Green diffuser
- 5) Housing screws
- 6) Wire nuts
- 7) Junction box (Building utility)
- 8) Crossbar screws (not provided)
- 9) Battery



**REMOVE KNOCKOUTS - DIA. 9**

