



**AMER-N4EL**  
BABA COMPLIANT NEMA 4X EMERGENCY LIGHT



PROJECT: \_\_\_\_\_  
 FIXTURE TYPE: \_\_\_\_\_  
 LOCATION: \_\_\_\_\_  
 CONTACT/PHONE: \_\_\_\_\_



**PRODUCT DESCRIPTION**

The AMER-N4EL Series NEMA 4X emergency light is manufactured in the United States and meets BABA (Build America Buy America) requirements.

The AMER-N4EL Series is designed for harsh and extreme environments, including outdoors and wet locations. Powerful 3-watt LED lamp heads produce 320 lumens each. Optional 5-watt, 550 lumen and 11-watt, 1100 lumen LED lamps are also available.

**FEATURES**

- NEMA 4X rated
- Lithium Iron Phosphate battery
- Self-diagnostics
- BABA compliant
- UL 924 Listed
- 5-year warranty

**ELECTRICAL**

120/277VAC Input.

**CODE COMPLIANCE**

UL Listed to UL924 for the United States, UL Wet Location Listed, NFPA, Life Safety 101, BABA.

**EXTERNAL SPECIFICATIONS**

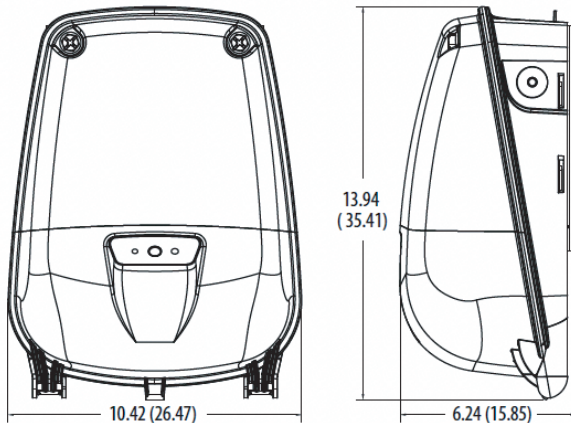
The AMER-N4EL Series is designed for use in wet locations and features a NEMA 4X rating. It is constructed from gray thermoplastic and features a clear polycarbonate cover over the LED lamp heads.

**WARRANTY**

The AMER-N4EL Series comes with a 5-year factory warranty. The lamps are not covered. Deliberate damage, misuse, or improper installation effectively cancel the warranty. Battery features a 20% per year pro-rata warranty.



**DIMENSIONS**



**ORDERING INFORMATION**

Model	Operation	Lamps	Housing Color	Options
AMER-N4EL	SD (Self-Diagnostics)	3W (3W LED)	G (Gray)	IH (-22°F/-30°C heater)
		5W (5W LED)		RC (Remote Capability)
		11W (11W LED)		

Ordering Example: AMER-N4EL-SD-3W-G